

# PRODUCT FAULT INFORMATION

19.August 2019

Dear RF elements customer,

We have discovered incorrect information in technical documentation for Asymmetrical Horn antennas: **HG3-TP-A20-30, HG3-TP-A60, and HG3-TP-A90**

On page 7 of the user guide where Step 4 is described, a wrong lower limit of the pole diameter is listed. The top image showing the bracket installation indicates that the diameter of the pole can be 22 - 49 mm, as shown below.

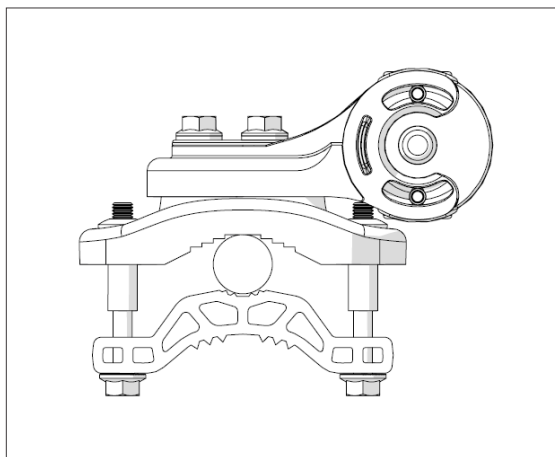
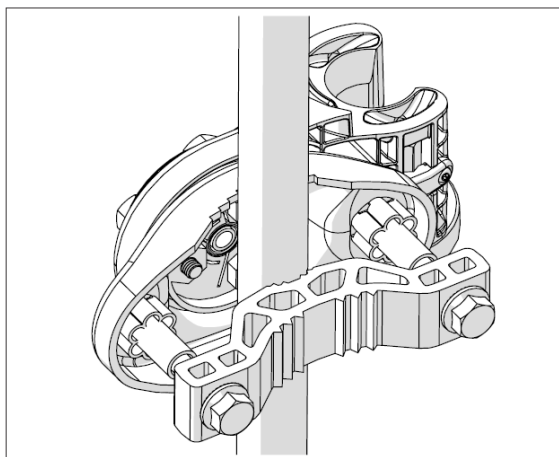
## Asymmetrical Horn TP

Step 4

Installation Guide

**WRONG**

Place the AH-TP Bracket like this for pole diameter of **22** - 49mm



**The correct span of diameters is 36 - 49 mm.** Similar mistake has been identified and corrected in Product datasheets.

We advise you not using a pole with diameter smaller than 36 mm because of a risk of potential galling of the bolts which damages the bracket beyond repair. Our general recommendation is using the largest possible pole diameter within above mentioned correct span of diameters.

In case you have mistakenly installed the antenna on a pole with diameter smaller than 36 mm after the date of this Information and the bolts are stuck, we are sorry to inform you that we do not provide free replacements. You can however buy a replacement hardware with any of our distributors.

If you have further questions, feel free to contact your Distributor or contact us directly on [info@rfelements.com](mailto:info@rfelements.com)

Best regards

Peter Fic  
Quality Assurance Manager