

90° Asymmetrical Beam Antenna

HORN ANTENNA WITH N-FEMALE CONNECTORS

The radiation pattern of 90° Asymmetrical Horn CC Antenna is 90° wide in the azimuth plane and 25° in elevation. Increased gain and excellent beam efficiency greatly improve coverage planning options.

90° Asymmetrical Horn CC Antenna exceeds the traditional patch array sector antennas thanks to the high stability of the radiation pattern throughout the bandwidth of operation. Outstanding noise rejection and precision of the radiation pattern favor the antenna for high-density access point clusters and densely co-located sites. 90° Asymmetrical Horn CC features a pair of N-female connectors ensuring a wide range of radio connectivity.

Asymmetrical Horn antennas were awarded WISPA Product of the Year 2019, 2020 and 2021 Awards.



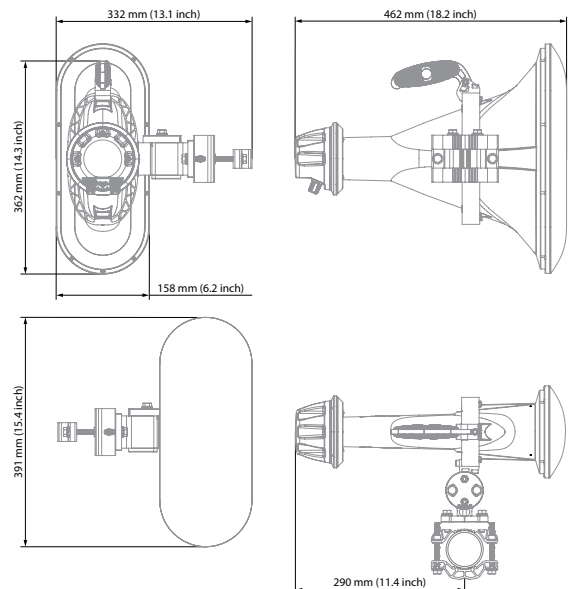
TECHNICAL DATA

Radio Connection	2x N Female Bulkhead Connector
Antenna Type	Horn
Materials	UV Resistant ABS Plastic, Polycarbonate, HDPE, Aluminium, Stainless Steel
Environmental	IP55
Pole Mounting Diameter	40-80 mm (1.5-3.1 inch) Recommended as close to 80 mm (3.1 inch) as possible
Temperature	-35°C to +60°C (-31°F to +140°F)
Wind Survival	160 km/h (100 mi/h)
Wind Load	64/90 N - Front/Side at 160 km/h (100 mi/h)
Effective Projected Area	525/744 cm ² - Front/Side (81.4/115.3 in ²)
Mechanical Adjustment	± 20° Elevation, ± 20° Azimuth
Weight	5.3 kg (11.6 lbs) – single unit* 7 kg (15.4 lbs) – single unit incl. package*
Single Unit	Retail Box: 510 x 420 x 175 mm (20 x 16.5 x 6.8 inch)*

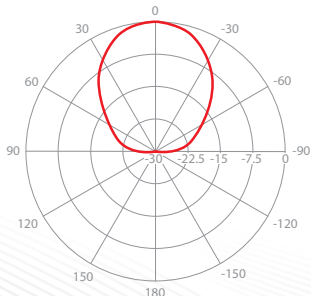
PERFORMANCE

Frequency Range	5180 - 6000 MHz
Gain	16 dBi
Azimuth Beam Width -3 dB	H 60° / V 60°
Elevation Beam Width -3 dB	H 16° / V 16°
Azimuth Beam Width -6 dB	H 90° / V 90°
Elevation Beam Width -6 dB	H 25° / V 25°
Beam Efficiency**	90 %
Front-to-Back Ratio	30 dB
VSWR Max	1.8
Polarization	Dual Linear H + V
Impedance	50 Ohm

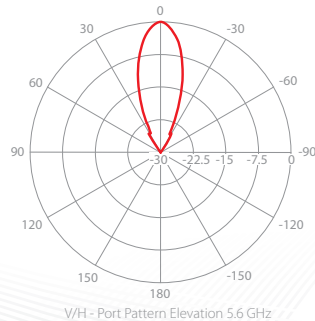
PRODUCT DIMENSIONS



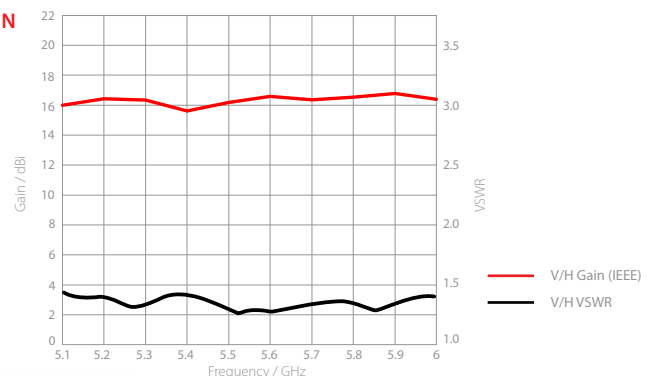
AZIMUTH PATTERN



ELEVATION PATTERN



GAIN



*Subject to change, **Main beam defined up to first null