

90° Asymmetrical Beam Antenna

HORN ANTENNA WITH N-FEMALE CONNECTORS

The radiation pattern of 90° Asymmetrical Horn CC Antenna is 90° wide in the azimuth plane and 25° in elevation. Increased gain and high beam efficiency greatly improve coverage planning options.

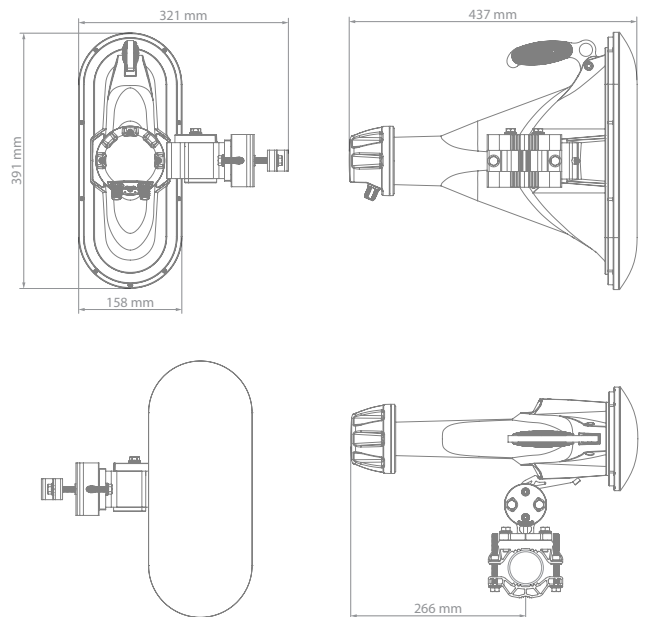
90° Asymmetrical Horn CC Antenna exceeds the traditional patch array sector antennas thanks to the high stability of the radiation pattern throughout the bandwidth of operation. Outstanding noise rejection and precision of the radiation pattern favor the antenna for high-density access point clusters and densely co-located sites. 90° Asymmetrical Horn CC features a pair of N-female connectors ensuring a wide range of radio connectivity.



TECHNICAL DATA

Radio Connection	2x N Female Bulkhead Connector
Antenna Type	Horn
Materials	UV Resistant ABS Plastic, Polycarbonate, HDPE, Aluminium, Stainless Steel
Enviromental	IP55
Pole Mounting Diameter	40-80 mm (recommend as close to 80 mm as possible)
Temperature	-35°C to +60°C (-31°F to +140°F)
Wind Survival	160 km/hour
Wind Loading	76 N at 160 km/hour
Mechanical Adjustment	± 20° Elevation, ± 20° Azimuth
Weight	5.5 kg / 12.1 lbs – single unit* 7.5 kg / 16.5 lbs – single unit incl. package*
Single Unit	Retail Box: 485 x 420 x 190 mm / 19.0 x 16.5 x 7.5 inch*

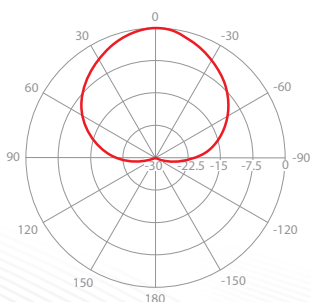
PRODUCT DIMENSIONS



PERFORMANCE

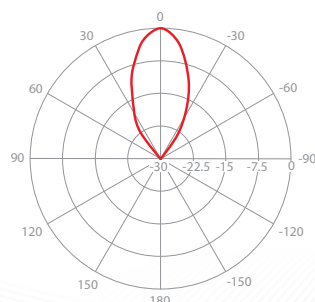
Frequency Range	5180 - 6000 MHz
Gain	16 dBi
Azimuth Beam Width -3 dB	H 60° / V 60°
Elevation Beam Width -3 dB	H 16° / V 16°
Azimuth Beam Width -6 dB	H 90° / V 90°
Elevation Beam Width -6 dB	H 25° / V 25°
Beam Efficiency**	90 %
Front-to-Back Ratio	30 dB
VSWR Max 5180-6000 MHz	1.8
Polarization	Dual Linear H + V
Impedance	50 Ohm

AZIMUTH PATTERN



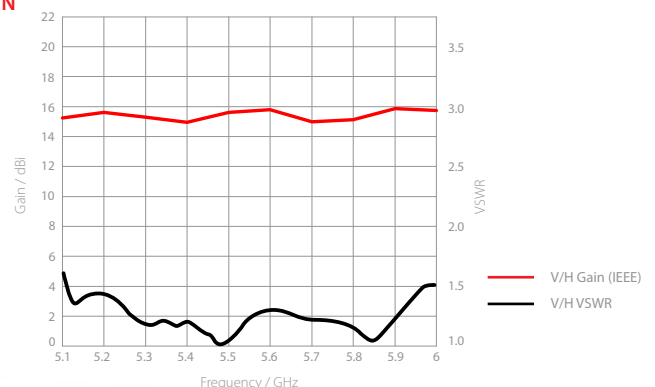
V/H - Port Pattern Azimuth 5.6 GHz

ELEVATION PATTERN



V/H - Port Pattern Elevation 5.6 GHz

GAIN



*Subject to change, **Main beam defined up to first null

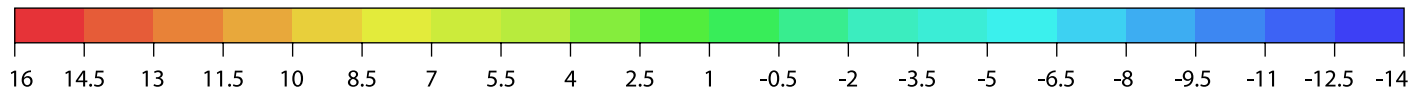
3D RADIATION DIAGRAM

SCALE: 30dBi

COMPATIBLE WITH: ADOBE ACROBAT READER DC. NOT SUPPORTED ON MOBILE.

USE MOUSE TO ROTATE THE DIAGRAM. SCROLL IN/OUT TO ZOOM IN/OUT

dBi



FRONT	BACK	RIGHT	LEFT	UP	DOWN
-------	------	-------	------	----	------