

# Symmetrical Horn TP Antenna Gen2

## HORN ANTENNA WITH TWISTPORT™ CONNECTOR

Symmetrical Horn Antennas have a symmetrical beam pattern with no sidelobes. They offer excellent noise rejection and supreme scalability options. They are perfect for high-density AP clusters and dense radio co-location.

Symmetrical Horn TP Antennas Gen2 feature our industry-changing TwistPort™ connector, a patent-pending quick-locking waveguide port. TwistPort™ is virtually lossless and revolutionary easy to use.

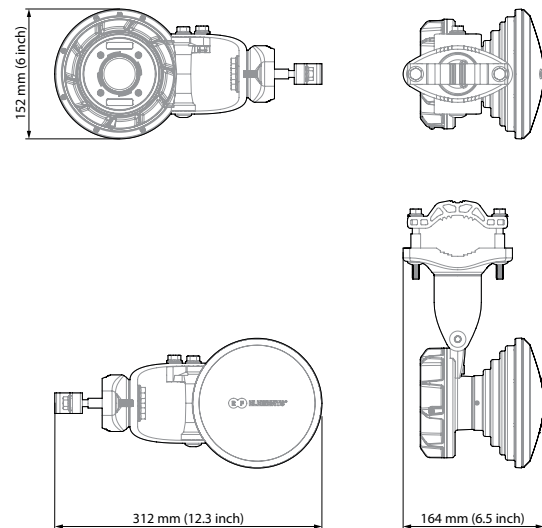
Symmetrical Horn TP Antennas Gen2 feature multiple improvements on RF performance and industrial design, incl. optically lighter antenna body and significantly improved antenna bracket. Radome is made of more resistant material and the whole range of Gen2 antennas only uses two different radome sizes.



### TECHNICAL DATA

|                          |  |
|--------------------------|--|
| Antenna Connection       | TwistPort™ - Quick Locking Waveguide Port  |
| Antenna Type             | Horn   |
| Materials                | UV Resistant ABS Plastic, Polycarbonate, Polypropylene, Aluminium, Stainless Steel                                       |
| Environmental            | IP55   |
| Flame Rating             | UL 94 HB   |
| Pole Mounting Diameter   | 30-80 mm (1.1-3.1 inch)<br>Recommended as close to 80 mm (3.1 inch) as possible  |
| Temperature              | -30°C to +55°C (-22°F to +131°F)   |
| Wind Survival            | 160 km/h (100 mi/h)  |
| Wind Load                | 24/10 N - Front/Side at 160 km/h (100 mi/h)  |
| Effective Projected Area | 199/80 cm <sup>2</sup> - Front/Side (30.9/12.4 in <sup>2</sup> )   |
| Mechanical Tilt          | ± 25°  |
| Weight                   | 1.4 kg / 3.0 lbs – single unit<br>2.2 kg / 4.8 lbs – single unit incl. package<br>23.3 kg / 51.4 lbs – carton (10 units) |
| Single Unit              | Retail Box: 305 × 239 × 183 mm (12 × 9.4 × 7.2 inch)   |
| 10 Units                 | Carton Box: 940 × 510 × 335 mm (37 × 20 × 13.2 inch)   |

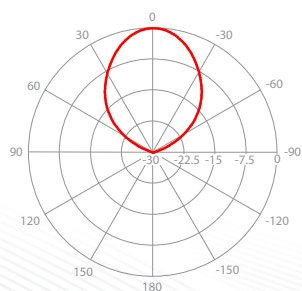
### PRODUCT DIMENSIONS



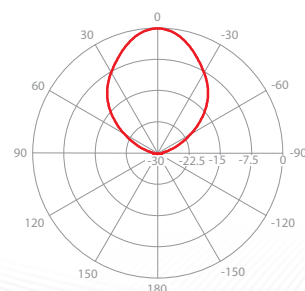
### PERFORMANCE

|                            |                 |
|----------------------------|-----------------|
| Frequency Range            | 5180 - 6400 MHz |
| Gain                       | 14.3 dBi        |
| Azimuth Beam Width -3 dB   | H 33° / V 33°   |
| Elevation Beam Width -3 dB | H 33° / V 33°   |
| Azimuth Beam Width -6 dB   | H 50° / V 50°   |
| Elevation Beam Width -6 dB | H 50° / V 50°   |
| Beam Efficiency**          | 92%             |
| Front-to-Back Ratio        | 33 dB           |

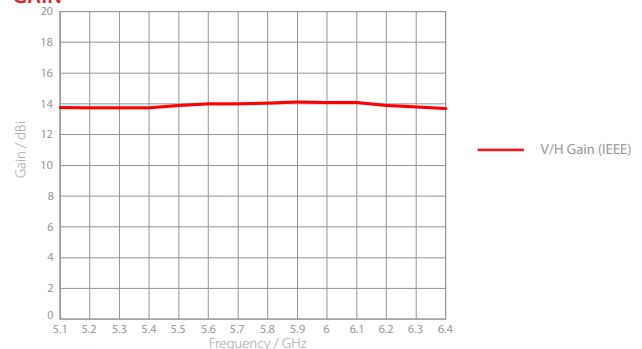
### AZIMUTH PATTERN



### ELEVATION PATTERN



### GAIN



V/H - Port Pattern Azimuth 5.6 GHz  
\*\*Beam efficiency defined up to first null

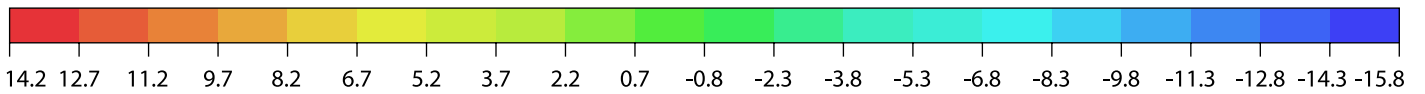
**3D RADIATION DIAGRAM**

SCALE: 30dBi

COMPATIBLE WITH: ADOBE ACROBAT READER DC. NOT SUPPORTED ON MOBILE.

USE MOUSE TO ROTATE THE DIAGRAM. SCROLL IN/OUT TO ZOOM IN/OUT

dBi



|       |      |       |      |    |      |
|-------|------|-------|------|----|------|
| FRONT | BACK | RIGHT | LEFT | UP | DOWN |
|-------|------|-------|------|----|------|