

StarterHorn™ 30° USMA

SYMMETRICAL HORN ANTENNA

StarterHorn™ Antennas have a symmetrical beam pattern with no side lobes. StarterHorn™ antennas offer great noise rejection for high-density AP clusters and dense co-location. StarterHorn™ antennas provide excellent performance in cost effective package.

StarterHorn™ antennas offer RP-SMA female connector interface for H and V antenna polarizations for connectivity to any third party radio on the market. They also allow for use of UBNT radios with waveguide connector.



TECHNICAL DATA

Antenna Connection	RP-SMA Port, Waveguide Port
Antenna Type	Symmetrical Horn
Materials	UV Resistant ABS Plastic, Polyethylene, Aluminium, Stainless Steel
Environmental	IP55
Flame Rating	UL 94 HB
Pole Mounting Diameter	20-55 mm (0.8-2.1 inch) Recommend as close to 55 mm (2.1 inch) as possible
Temperature	-30°C to +55°C (-22°F to +131°F)
Wind Survival	160 km/h (100 mi/h)
Wind Load	52/21 N - Front/Side at 160 km/h (100 mi/h)
Effective Projected Area	428/175 cm ² - Front/Side (66.3/27.1 in ²)
Mechanical Tilt	± 30°
Weight	1.3 kg (2.8 lbs) – single unit* 1.9 kg (4.1 lbs) – single unit incl. package* 20.9 kg (46 lbs) – carton (10 units)
Single Unit	Retail Box: 269 × 240 × 240 mm (10.5 × 9.4 × 9.4 inch)
10 Units	Carton Box: 1210 × 490 × 277 mm (47.6 × 19.2 × 10.9 inch)

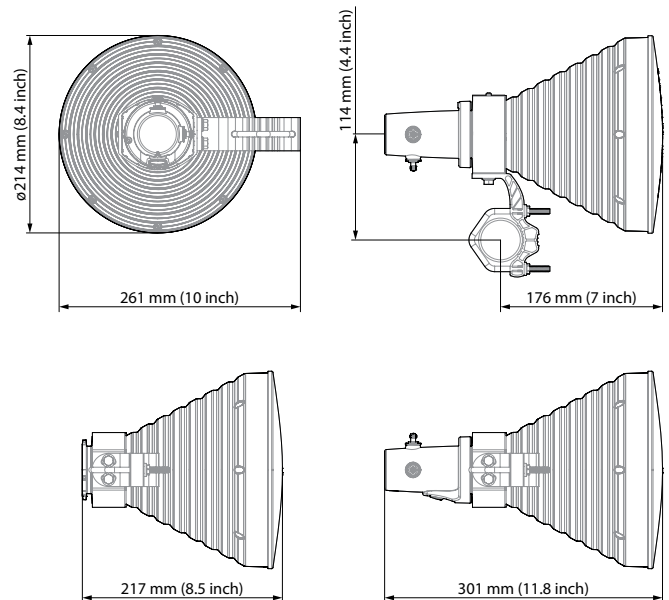
PERFORMANCE

Frequency Range	5150 - 5950 MHz
Gain	18 dBi
Azimuth Beam Width -3 dB	H 20° / V 20°
Elevation Beam Width -3 dB	H 20° / V 20°
Azimuth Beam Width -6 dB	H 30° / V 30°
Elevation Beam Width -6 dB	H 30° / V 30°
Beam Efficiency*	92 %
Front-to-Back Ratio	33 dB

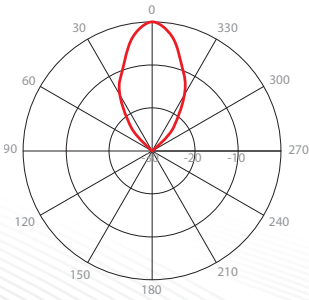
COMPATIBLE WIRELESS PLATFORMS

Ubiquiti Networks®	PrismStation™ 5AC, IsoStation™ 5AC, IsoStation™ M5
Other	Any radio with coaxial output

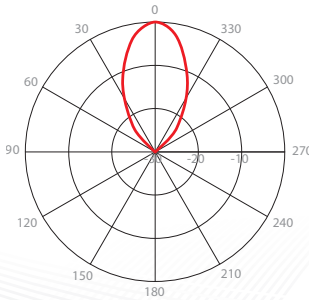
PRODUCT DIMENSIONS



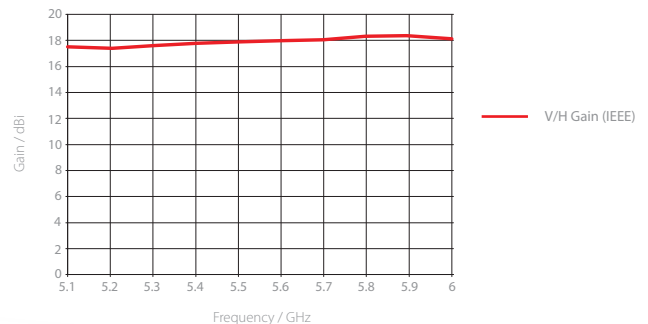
AZIMUTH PATTERN



ELEVATION PATTERN



GAIN



*Main beam defined up to first null