

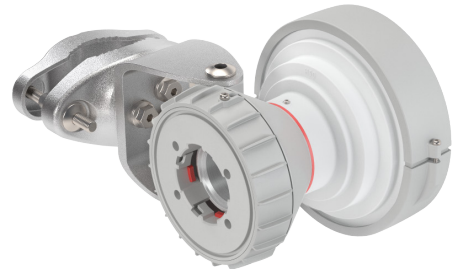
# Symmetrical Horn Antenna

## SH-TP 5-50

### SYMMETRICAL HORN ANTENNA WITH TWISTPORT CONNECTOR AND CARRIER CLASS PERFORMANCE

Symmetrical Horn Antennas offer excellent noise rejection and supreme scalability options. They have a symmetrical beam pattern, no sidelobes, and are extremely compact. SH-TP antennas are perfect for high-density AP clusters and radio co-location.

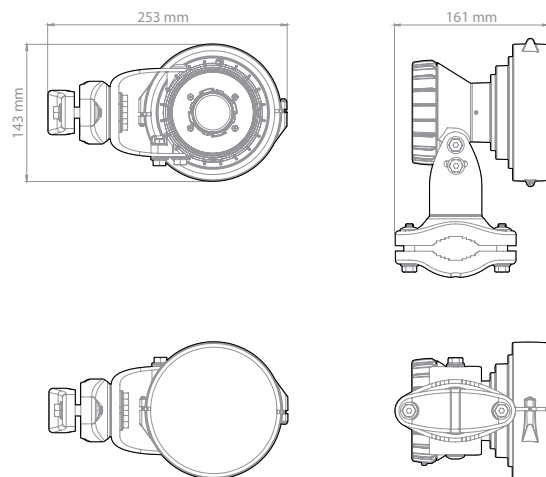
Symmetrical Horn TP Antennas feature our industry-changing TwistPort™ connector, a patent-pending quick-locking waveguide port. TwistPort™ is virtually lossless: there are no coaxial RF connectors or RF cables that cause significant signal loss. We offer a wide range of TwistPort™ Adaptors which allow you to connect the most popular 3rd party connectorized radios.



#### TECHNICAL DATA

Antenna Connection	TwistPort™ - Quick Locking Waveguide Port
Antenna Type	Horn
Materials	UV Resistant ABS Plastic, Polycarbonate, Polypropylene, Aluminium, Stainless Steel
Environmental	IP55
Pole Mounting Diameter	15-86 mm
Temperature	-30°C to +55°C (-22°F to +131°F)
Wind Survival	160 km/hour
Wind Loading	22 N at 160 km/hour
Mechanical Tilt	± 25°
Weight	1.7 Kg / 3.7 lbs – single unit 1.9 Kg / 4.2 lbs – single unit incl. package 20.2 Kg / 45 lbs – carton (10 units)
Single Unit	Retail Box: 29.5 × 17 × 19 cm

#### PRODUCT DIMENSIONS



#### PERFORMANCE

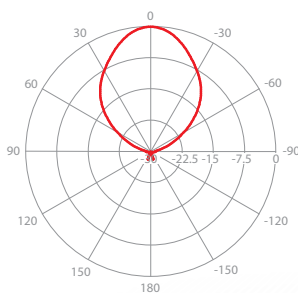
Frequency Range	5180 - 6400 MHz
Gain	14.3 dBi
Azimuth Beam Width -3 dB	H 33° / V 33°
Elevation Beam Width -3 dB	H 33° / V 33°
Azimuth Beam Width -6 dB	H 50° / V 50°
Elevation Beam Width -6 dB	H 50° / V 50°
Front-to-Back Ratio	33 dB

#### AZIMUTH PATTERN



V/H - Port Pattern Azimuth 5.6 GHz

#### ELEVATION PATTERN



V/H - Port Pattern Elevation 5.6 GHz

#### GAIN

