

# Symmetrical Horn Antenna

## SH-TP 5-70

### SYMMETRICAL HORN ANTENNA WITH TWISTPORT CONNECTOR AND CARRIER CLASS PERFORMANCE

Symmetrical Horn Antennas offer excellent noise rejection and supreme scalability options. They have a symmetrical beam pattern, no sidelobes, and are extremely compact. SH-TP antennas are perfect for high-density AP clusters and radio co-location.

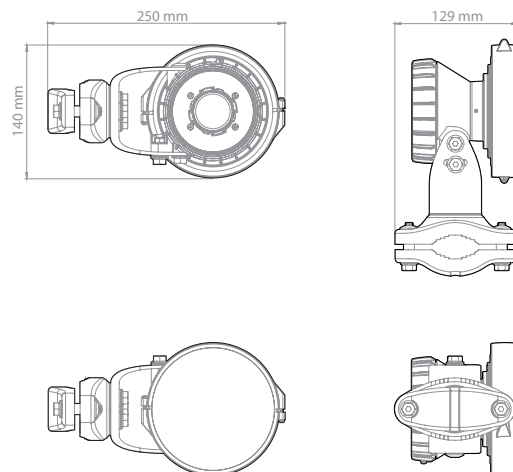
Symmetrical Horn TP Antennas feature our industry-changing TwistPort™ connector, a patent-pending quick-locking waveguide port. TwistPort™ is virtually lossless: there are no coaxial RF connectors or RF cables that cause significant signal loss. We offer a wide range of TwistPort™ Adaptors which allow you to connect the most popular 3rd party connectorized radios.



#### TECHNICAL DATA

|                        |  |
|------------------------|--|
| Antenna Connection     | TwistPort™ - Quick Locking Waveguide Port  |
| Antenna Type           | Horn   |
| Materials              | UV Resistant ABS Plastic, Polycarbonate, Polypropylene, Aluminium, Stainless Steel |
| Environmental          | IP55   |
| Pole Mounting Diameter | 15-86 mm   |
| Temperature            | -30°C to +55°C (-22°F to +131°F)   |
| Wind Survival          | 160 km/hour  |
| Wind Loading           | 21 N at 160 km/hour  |
| Mechanical Tilt        | ± 25°  |
| Weight                 | 1.7 Kg / 3.7 lbs – single unit   |
|                        | 1.8 Kg / 4 lbs – single unit incl. package   |
|                        | 19.7 Kg / 43.4 lbs – carton (10 units)   |
| Single Unit            | Retail Box: 30 x 17 x 19 cm  |

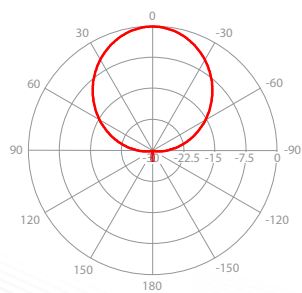
#### PRODUCT DIMENSIONS



#### PERFORMANCE

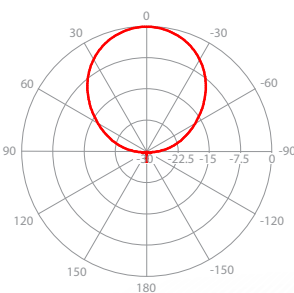
|                            |                 |
|----------------------------|-----------------|
| Frequency Range            | 5180 - 6400 MHz |
| Gain                       | 11.5 dBi        |
| Azimuth Beam Width -3 dB   | H 50° / V 50°   |
| Elevation Beam Width -3 dB | H 50° / V 50°   |
| Azimuth Beam Width -6 dB   | H 70° / V 70°   |
| Elevation Beam Width -6 dB | H 70° / V 70°   |
| Front-to-Back Ratio        | 30 dB           |

#### AZIMUTH PATTERN



V/H - Port Pattern Azimuth 5.6 GHz

#### ELEVATION PATTERN



V/H - Port Pattern Elevation 5.6 GHz

#### GAIN

