

# UltraDish™ TP 27

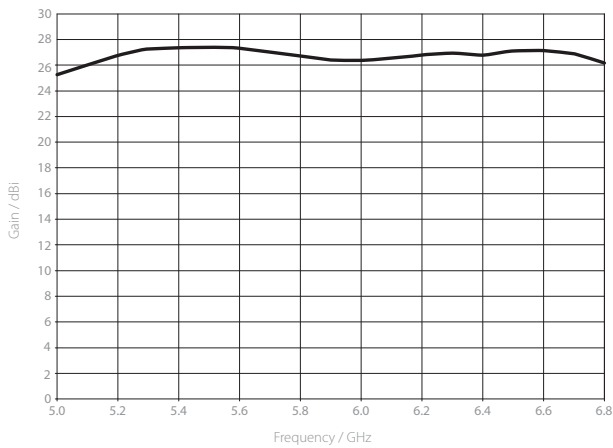
PARABOLIC DISH ANTENNA  
WITH TWISTPORT™ CONNECTOR

UltraDish™ TP 27 is designed for subscriber module applications. Minimized sidelobes, wide frequency bandwidth, and stable gain in both polarizations assure dependable performance. Antenna reflector is made of aluminium to ensure a low weight and uniform shape. Our proprietary TwistPort™ waveguide connector enables intuitive radio connection and replacement.

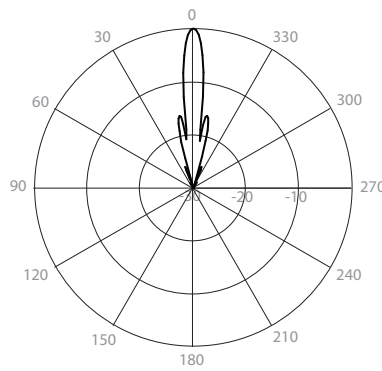
Massive mount with improved grip and a wide range of applicable pole diameters makes the deployment easy and versatile. Stainless hardware comes with black coating to prevent from seizing at the installation.



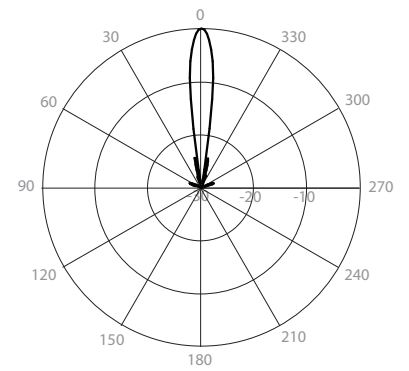
Gain H



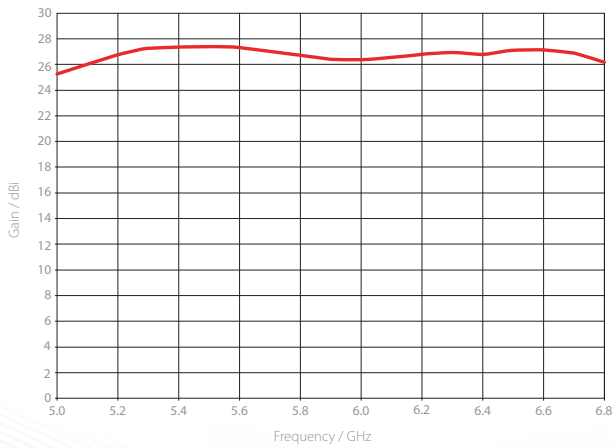
Azimuth Pattern H



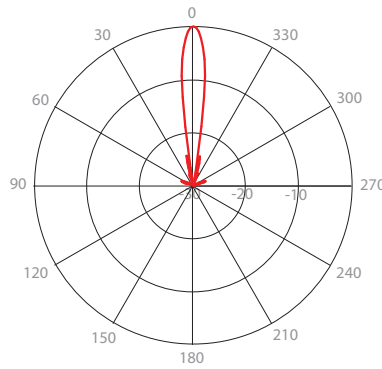
Elevation Pattern H



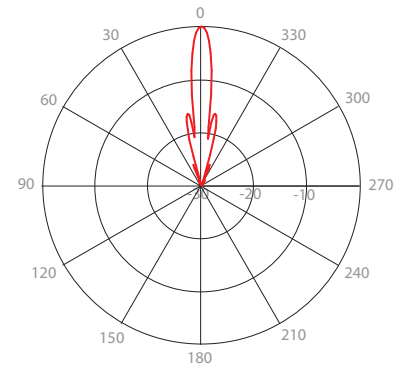
Gain V



Azimuth Pattern V



Elevation Pattern V



**PHYSICAL**

Antenna Connection	TwistPort™ - Quick Locking Waveguide Port
Antenna Type	Parabolic Dish
Materials	UV Resistant ABS Plastic, Polycarbonate, Aluminium, Stainless Steel
Environmental	IP65
Pole Mounting Diameter	40-80 mm (1.5-3.1 inch) Recommended as close to 80 mm (3.1 inch) as possible
Temperature	-40 °C to +60 °C (-40°F to +140°F)
Wind Survival	160 km/h (100 mi/h)
Wind Load	351/30 N - Front/Side at 160 km/h (100 mi/h)
Effective Projected Area	2878/246 cm <sup>2</sup> - Front/Side (446.1/38.1 inch <sup>2</sup> )
Weight	3.7 Kg (8 lbs) – single unit (one antenna) 10.6 Kg (23 lbs) – 2PACK (2 units) incl. package
Dimensions	Retail Box 2PACK: 630 x 620 x 165 mm (24.8 x 24.4 x 6.5 inch)

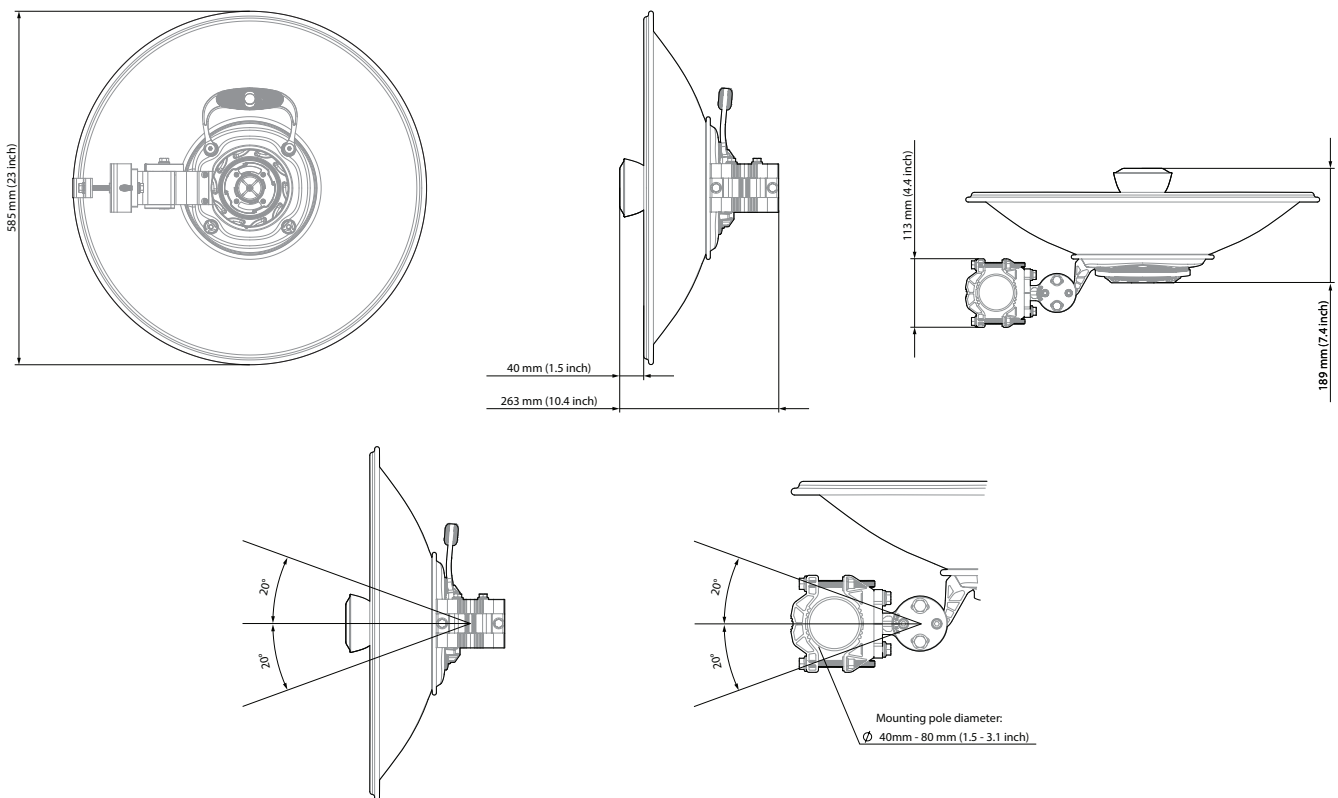
**PERFORMANCE**

Frequency Range	<b>5180 - 6775 MHz*</b>	
Gain	27.5 dBi	
Beam Efficiency**	61%	
Front-to-Back Ratio (Min)	37 dB	
Azimuth Beam Width	-3 dB: H 7° / V 6°	-6 dB: H 10° / V 9°
Elevation Beam Width	-3 dB: H 6° / V 7°	-6 dB: H 9° / V 10°

**COMPATIBLE WIRELESS PLATFORMS**

- any TwistPort™ Adaptor
- any SIMPER™ Radio

**PRODUCT DIMENSIONS**



\* We strongly recommend that users do not operate radios outside of the specified frequency range  
\*\*Beam efficiency defined up to first null



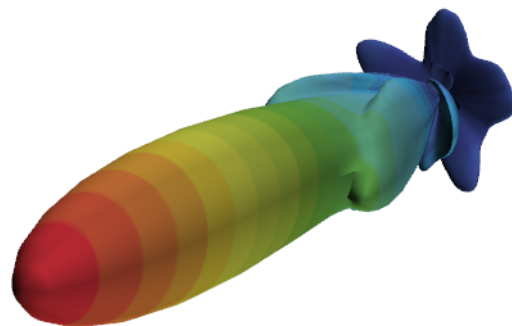
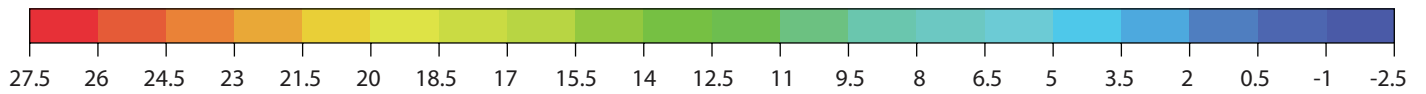
**3D radiation diagram**

Scale: 30dBi

Compatible with: Adobe Acrobat Reader DC. Not supported on mobile.

Use mouse to rotate the diagram. Scroll in/out to zoom in/out.

dBi



FRONT	BACK	RIGHT	LEFT	UP	DOWN
-------	------	-------	------	----	------