

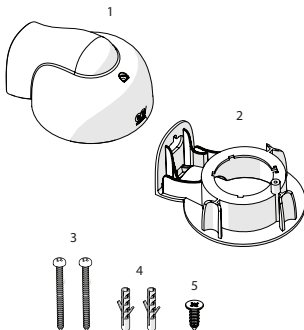
**AbraCam™**

Wall for UVC Dome

BRACKET FOR UVC DOME

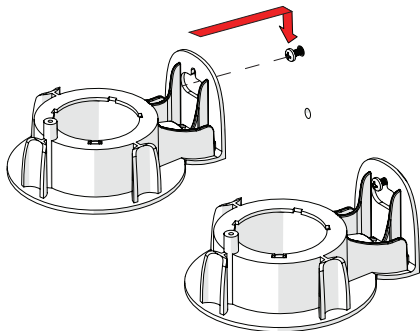
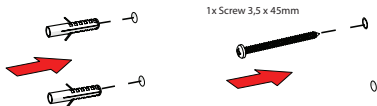


## Package Contents

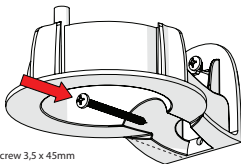


Number	Description	Quantity
1	AbraCam Cover	1x
2	AbraCam Body	1x
3	3,5 x 45mm Screw	2x
4	Wall Plug	2x
5	2,9 x 9,5mm Screw	1x

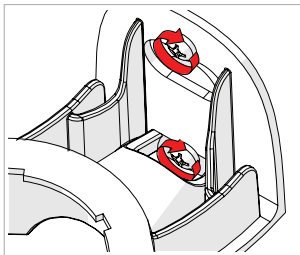
## Installation Guide



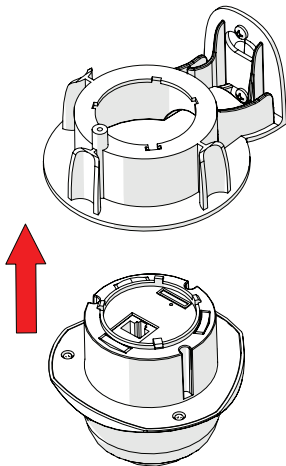
## Installation Guide

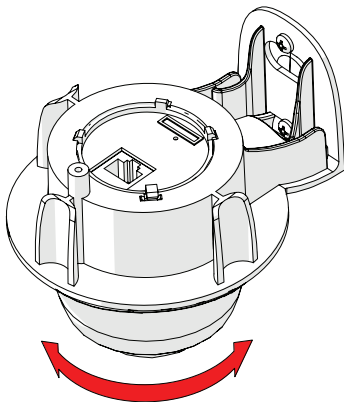


1x Screw 3,5 x 45mm

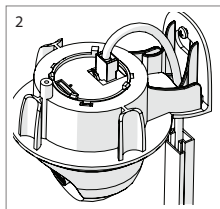
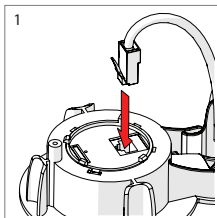


## Installation Guide

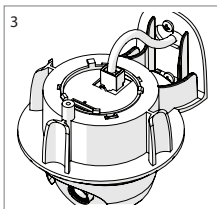




## Installation Guide

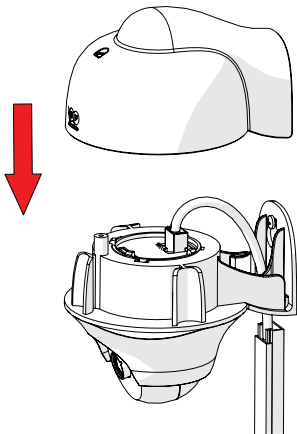


Wall Installation



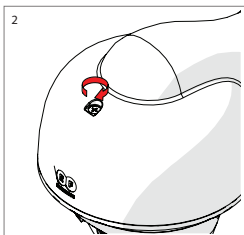
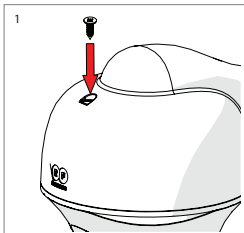
Panel Installation

## Installation Guide





## Installation Guide



UBNT™ and UBNT UVC Dome™ are trademarks of Ubiquiti Networks, Inc, San Jose, California.  
RF elements® and AbraCam™ are trademarks of RF elements s.r.o., Humenne, Slovakia.  
All rights of trademark owners reserved.



RF elements s.r.o.  
Phone: +421 2 3260 3711  
info@rfelements.com  
[www.rfelements.com](http://www.rfelements.com)