

NanoBracket[®] for NBE-M5-19

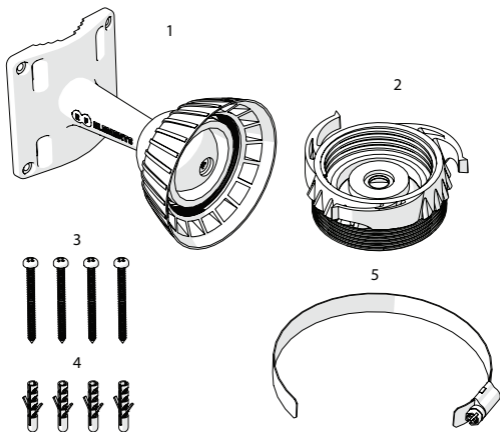
BRACKET FOR NANOBEAM[®] M5-19



NanoBracket® for NBE-M5-19

1

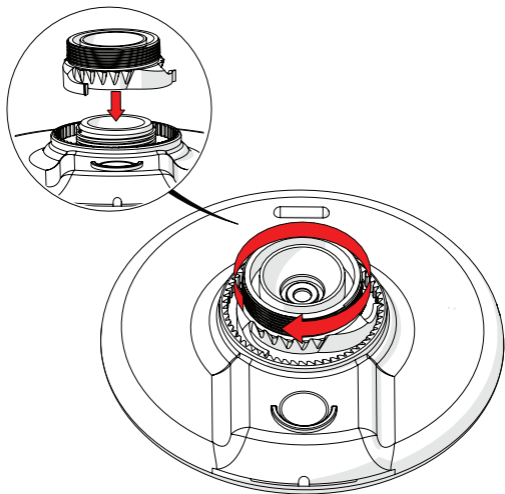
Package Contents



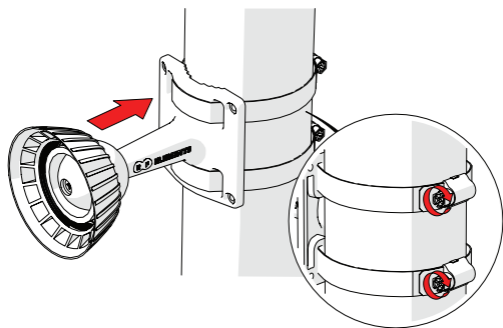
Number	Description	Quantity
1	NB 19 Body 1	1x
2	NB 19 Body 2	1x
3	3,5 x 45mm Screw	4x
4	Wall Plug	4x
5	Hose Clamp*	1x

* NanoBracket requires 2 hose clamps for proper mounting. The second hose clamp should have been supplied with your NanoBeam.

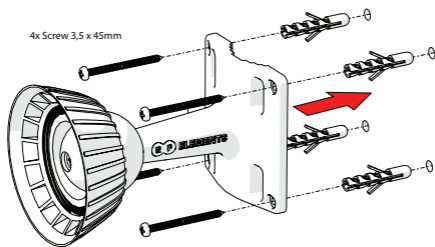
Installation Guide



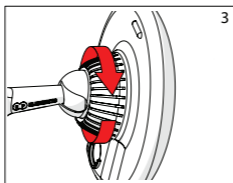
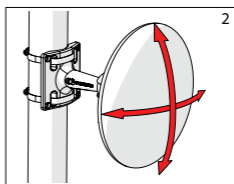
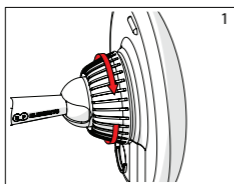
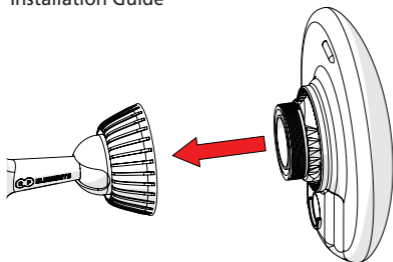
Pole Installation



Wall Installation



Installation Guide



NanoBeam® is trademark of Ubiquiti Networks, Inc.,
San Jose, California.

RF elements® and NanoBracket® are trademarks
of RF elements s.r.o., Humenne, Slovakia.

All rights of trademark owners reserved.



RF elements s.r.o.
Phone: +421 2 3260 3711
info@rfelements.com
www.rfelements.com