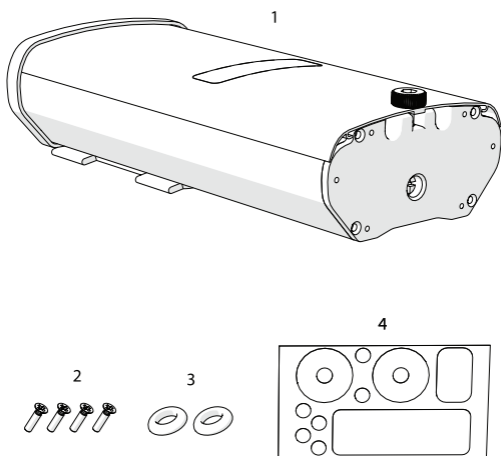


RockShield™

ROCK SOLID RF SHIELD FOR UBNT Rocket™ M

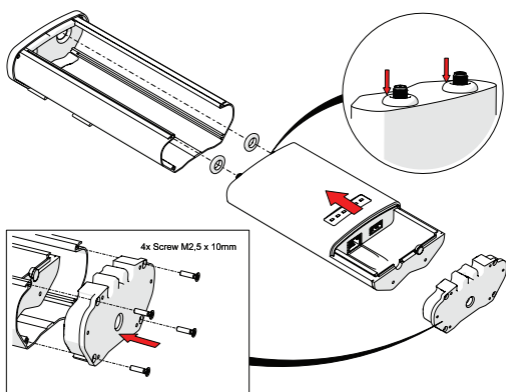
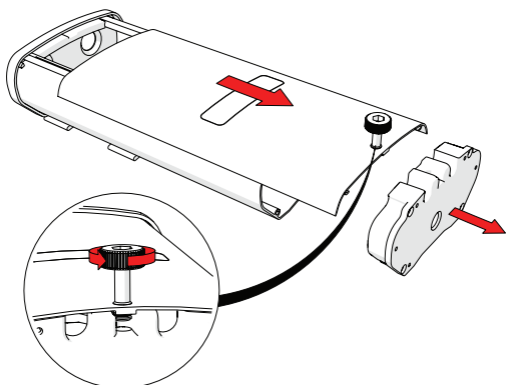


Package Contents

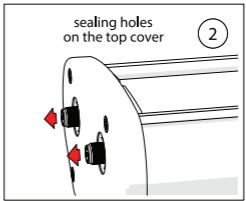
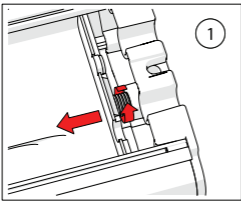
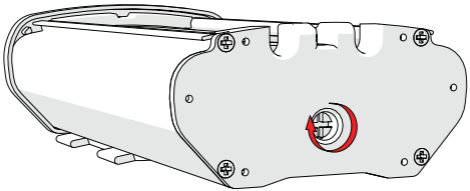


Number	Description	Quantity
1	RockShield body	1x
2	M2,5 x 10mm screw	4x
3	Silicon gasket ring	2x
4	Set of Metal Stickers	1x

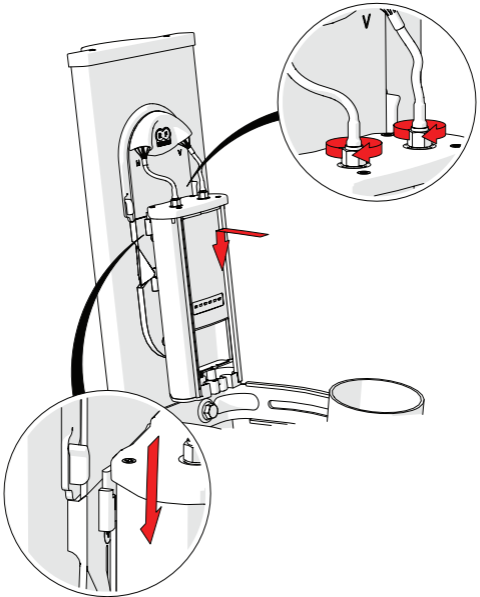
Installation Guide



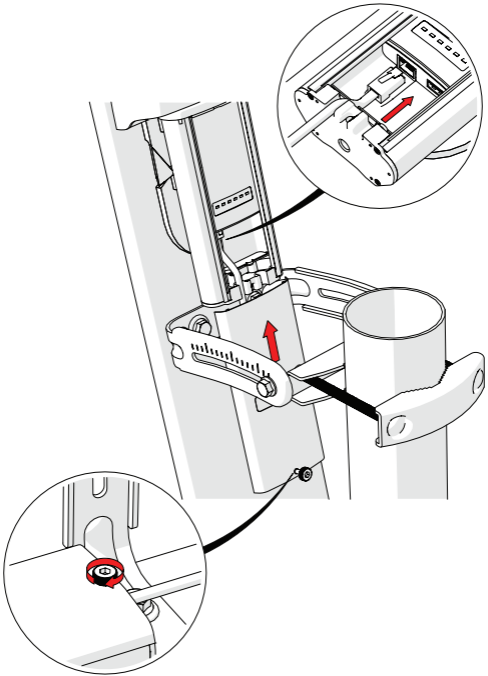
Installation Guide



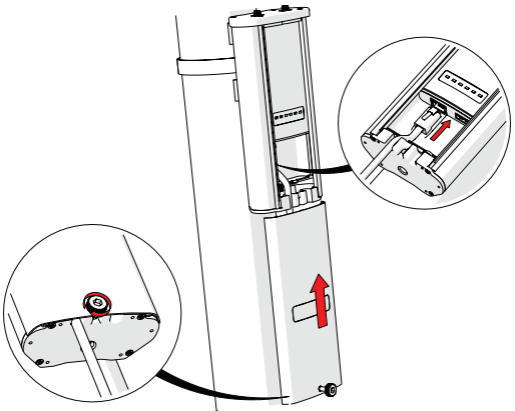
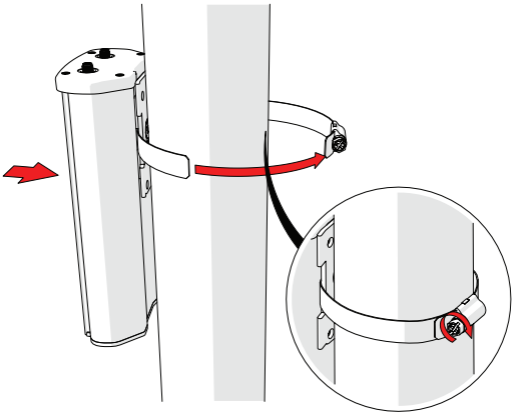
Installation on Antenna



Installation on Antenna



Installation on a Pole



Compatible Devices:

UBNT Rocket™ M2
UBNT Rocket™ M3
UBNT Rocket™ M365
UBNT Rocket™ M5
UBNT Rocket™ M900

RockShield™ is NOT compatible
with UBNT Rocket™ M Titanium

UBNT™ and UBNT Rocket™ M are trademarks of
Ubiquiti Networks, Inc, San Jose, California.

RF elements® and RockShield™ are trademarks of
RF elements s.r.o., Humenne, Slovakia.

All rights of trademark owners reserved.



ELEMENTS

RF elements s.r.o.
Phone: +421 2 3260 3711
info@rfelements.com
www.rfelements.com