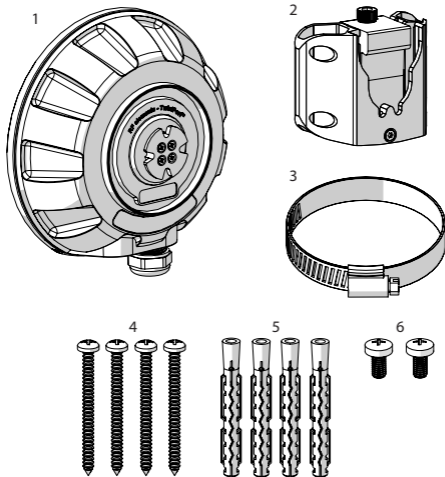


StationBox® ALU-Mini

SBX-AM

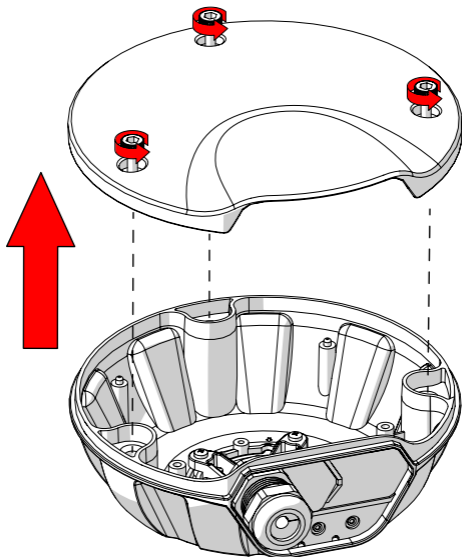


Package Contents



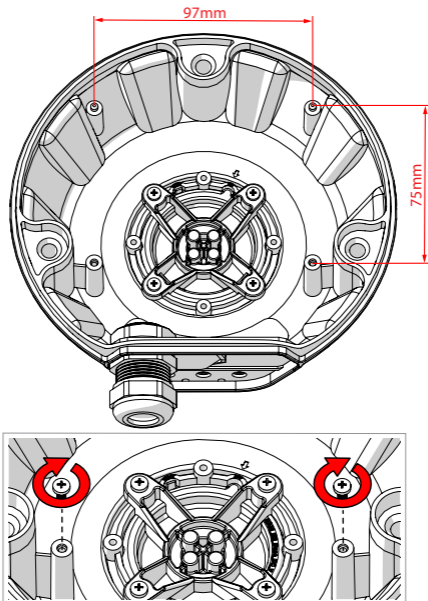
Number	Description	Quantity
1	StationBox®	1x
2	StationBox® Bracket	1x
3	Hose Clamp	1x
4	Screw 3,5 x 45mm	4x
5	Wall Plug	4x
6	Screw M3 x 10mm	2x

Installation



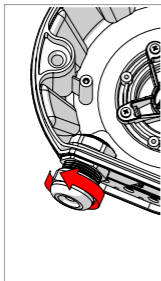
Installation

Files for 3D printing of the inserts to accommodate various boards can be downloaded from our web page: www.rfelements.com/marketing/downloads

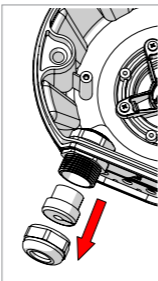


Installation

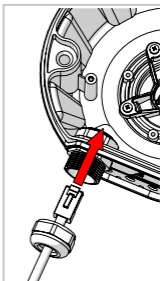
1



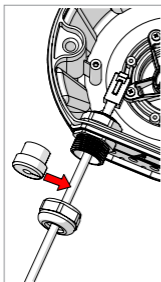
2



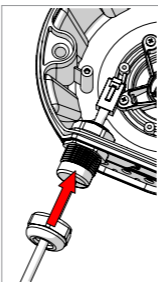
3



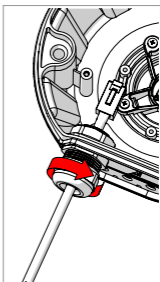
4



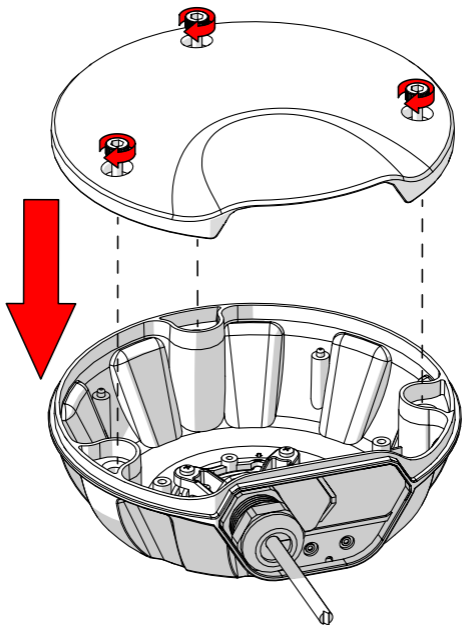
5



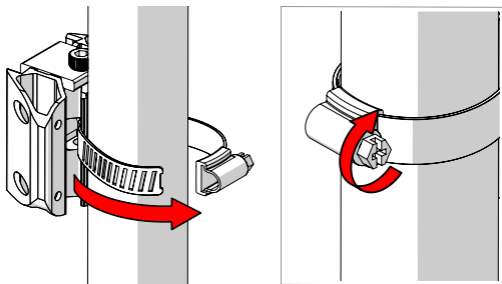
6



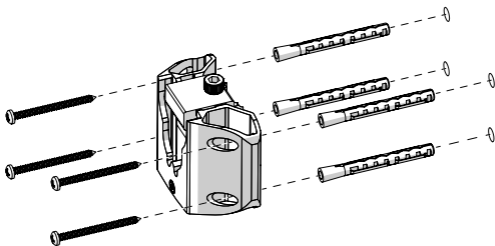
Installation



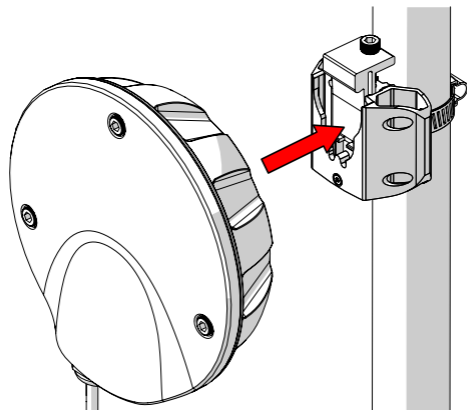
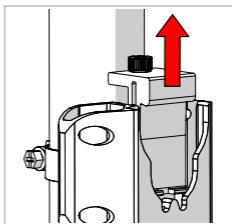
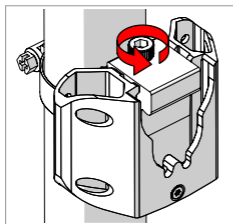
Pole Installation



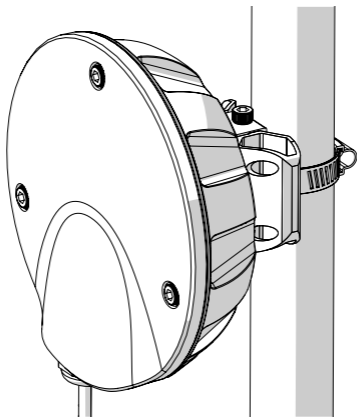
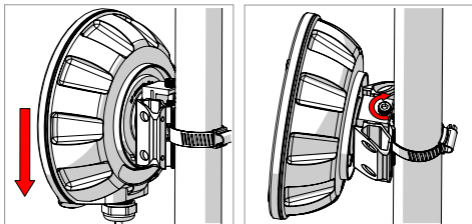
Wall Installation



Installation

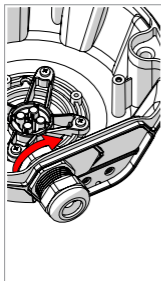


Installation

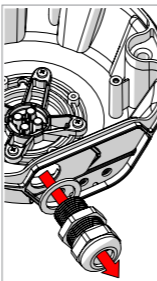


Customizing Connectors

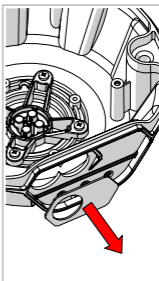
1



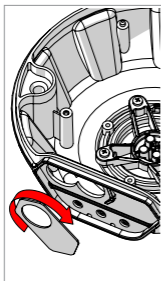
2



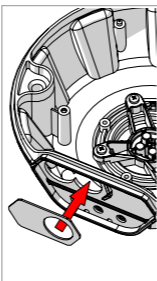
3



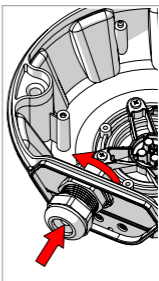
4



5

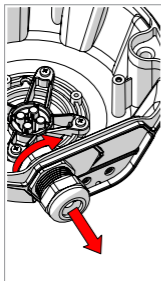


6

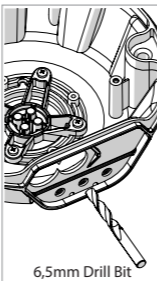


Customizing Connectors

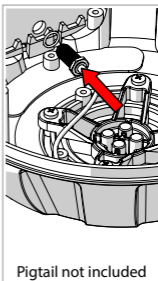
1



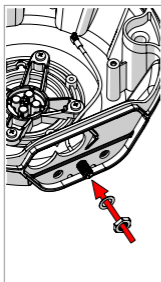
2



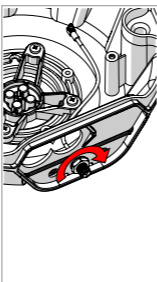
3



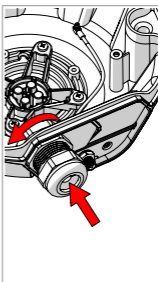
4



5



6



Compatible Devices:

for a list of compatible device visit www.rfelements.com

Share your experience on our community forum www.rfelab.com

RF elements[®], StationBox[®] are trademarks of
RF elements s.r.o., Humenne, Slovakia.
All rights of trademark owners reserved.



RF elements s.r.o.
Phone +421 2 3260 3711
info@rfelements.com
www.rfelements.com