



Asymmetrical Horn Antenna WB

User Guide

AH90WB



Installation Video



If you need further assistance, reach out to us on our webpage or on social media.

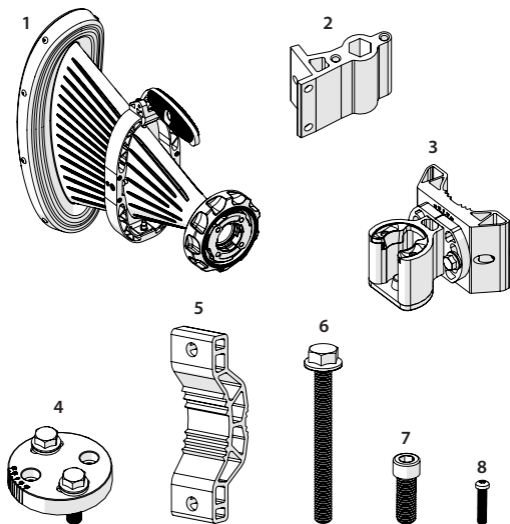
Asymmetrical Horn WB

Contents

Asymmetrical Horn Antenna WB - English User Guide.....	3
--	---



Package Contents

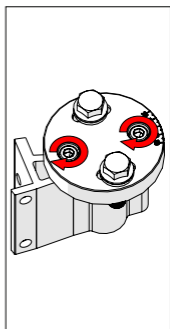
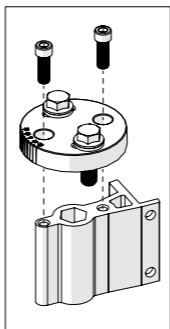
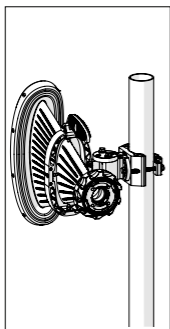


Number	Description	Quantity
1	AH WB Body	1x
2	AH Bracket Arm	1x
3	Bracket Base UBR	1x
4	Bracket Ring UBR	1x
5	Pole Mount Bracket	1x
6	M8 x 80 mm DIN 912 Screw	2x
7	M6 x 20 mm DIN 6921 Screw	2x
8	3 x 16 mm Lock Screw	1x

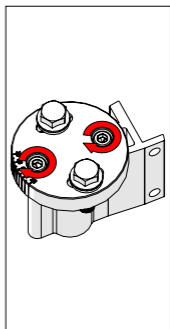
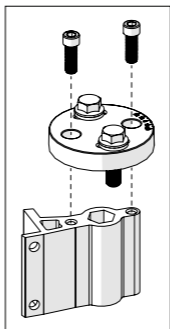
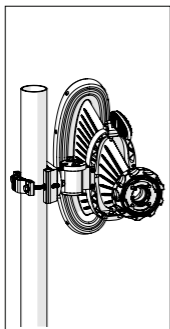
Model AH90WB shown. Package Contents are identical for other Asymmetrical Horn models. Antenna dimensions may differ.

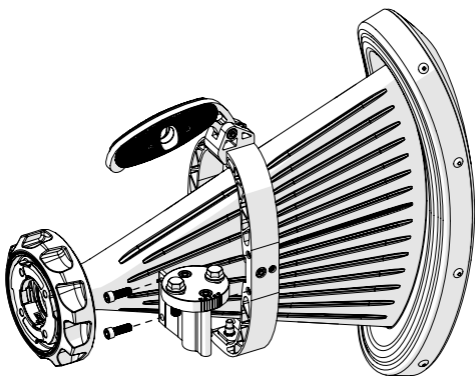
Pre - Installation

Assembly shown here is for the installation on the **left** side of the pole. See page 5 to continue installation. Use 5 mm Hex Key when assembling the bracket.

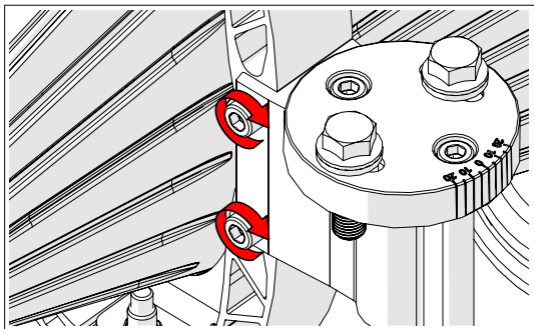


Assembly shown here is for the installation on the **right** side of the pole. See page 14 to continue installation. Use 5 mm Hex Key when assembling the bracket.

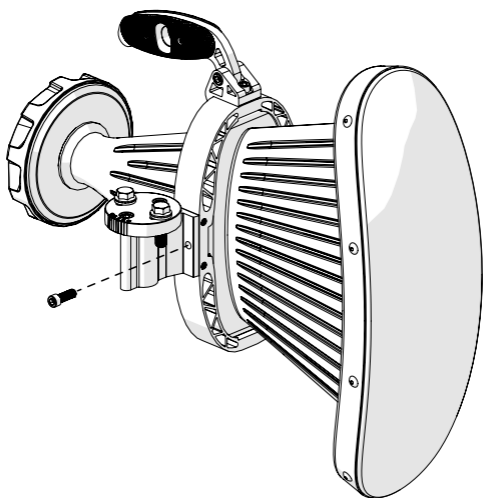




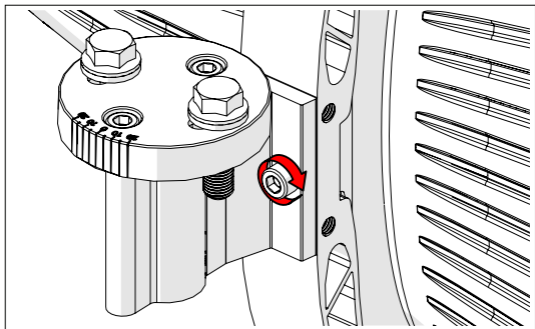
Use 5 mm Hex Key when assembling the bracket.



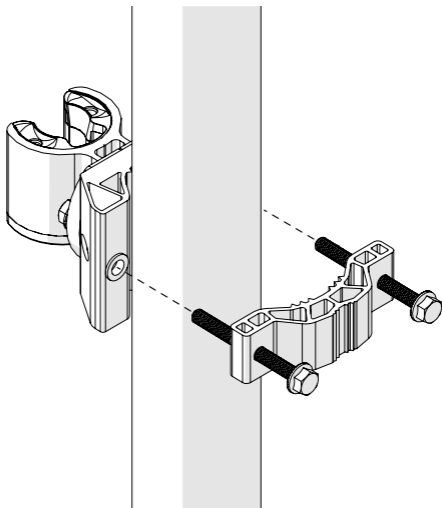
Installation Guide



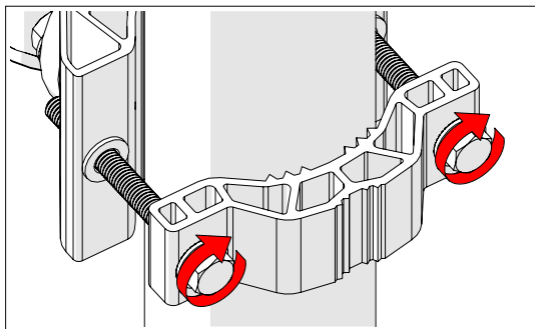
Use 5 mm Hex Key when assembling the bracket.



Installation Guide

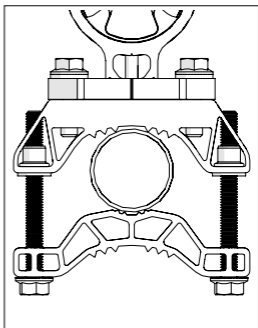
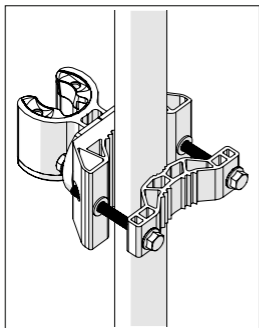


Use 13 mm Ratchet Wrench when assembling the bracket.

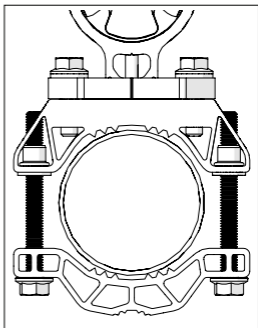
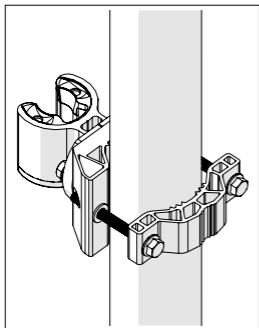


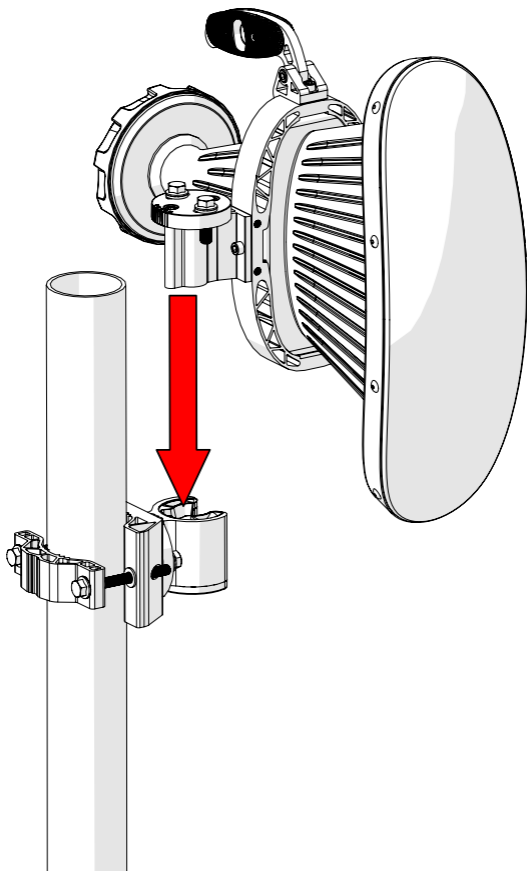
Installation Guide

Install the Pole Mount Bracket as shown for pole diameter range **40 - 57 mm**.

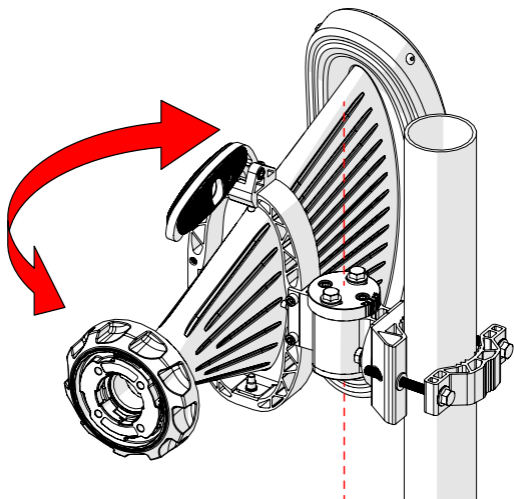


Install the Pole Mount Bracket as shown for pole diameter range **58 - 80 mm**.

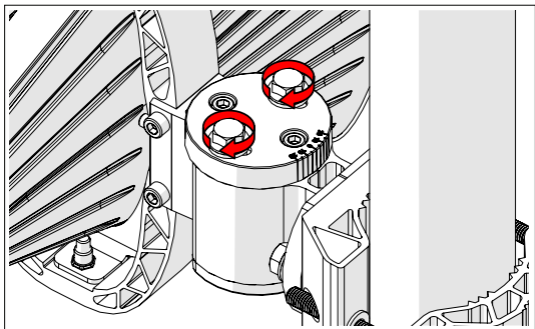




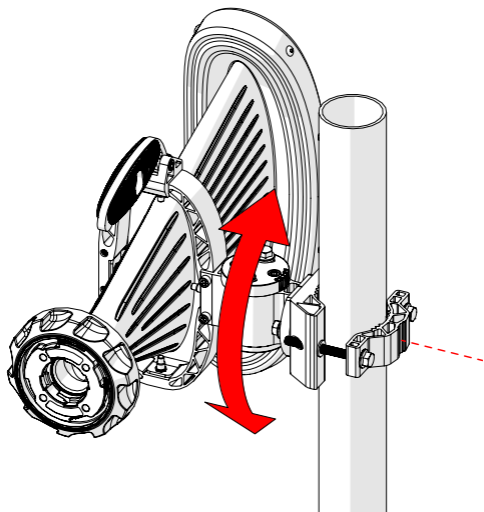
Installation Guide



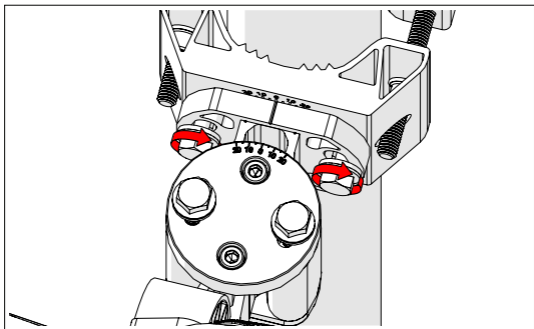
Use 13 mm Ratchet Wrench when tightening the azimuth bolts.



Installation Guide

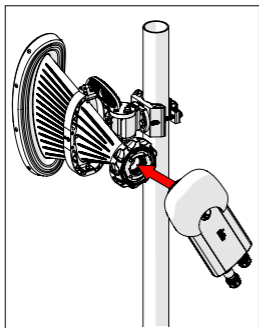


Use 13 mm Ratchet Wrench when tightening the elevation bolts.

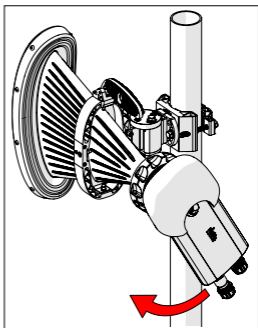


Radio Installation Guide

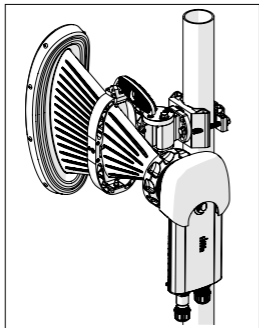
1



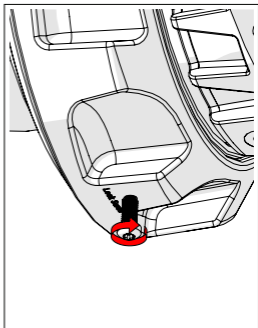
2



3



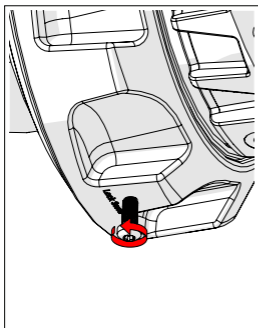
4



Optional: Install the 3 x 16 locking screw. Tighten the locking screw to secure the TwisPort™ lock mechanism.

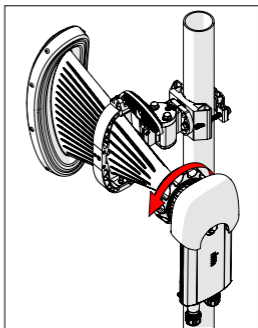
Radio Uninstallation Guide

1

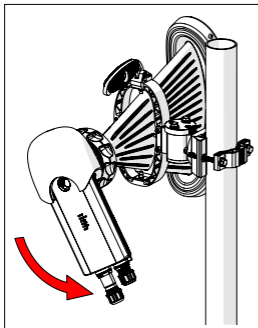


If the locking screw was used, unscrew it by about 10 mm before unlocking the TwisPort™ mechanism.

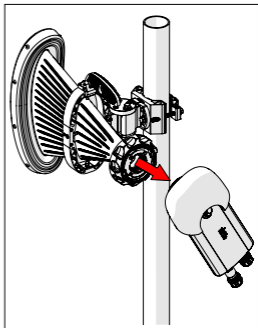
2



3

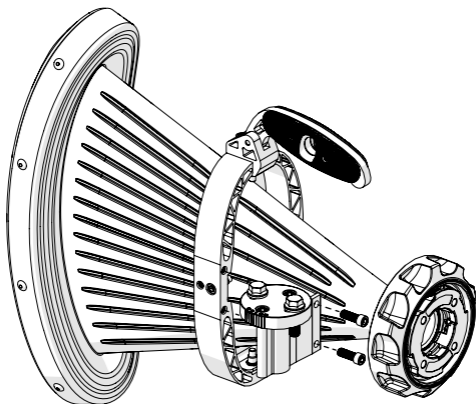


4

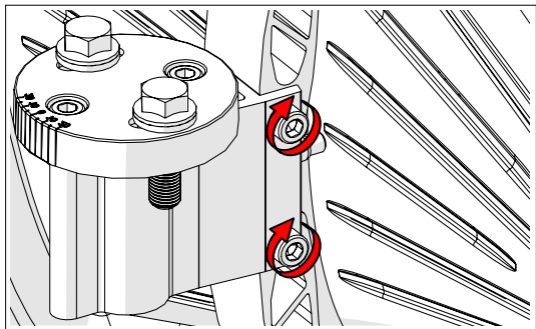


Installation Guide

Optional: Right side of the pole mounting.

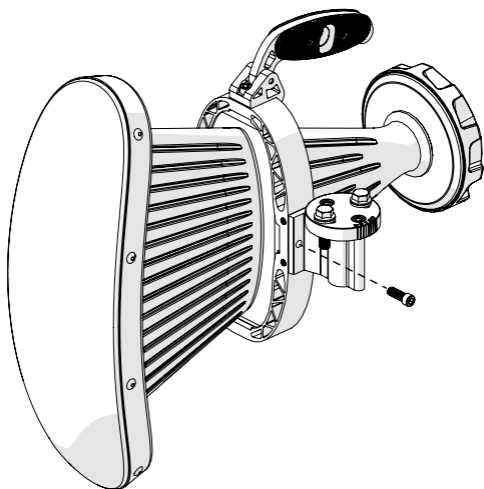


Use 5 mm Hex Key when assembling the bracket.

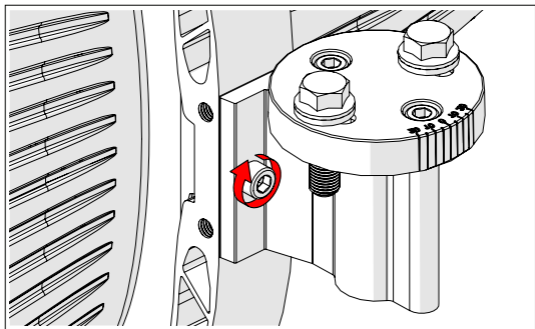


Installation Guide

Optional: Right side of the pole mounting.

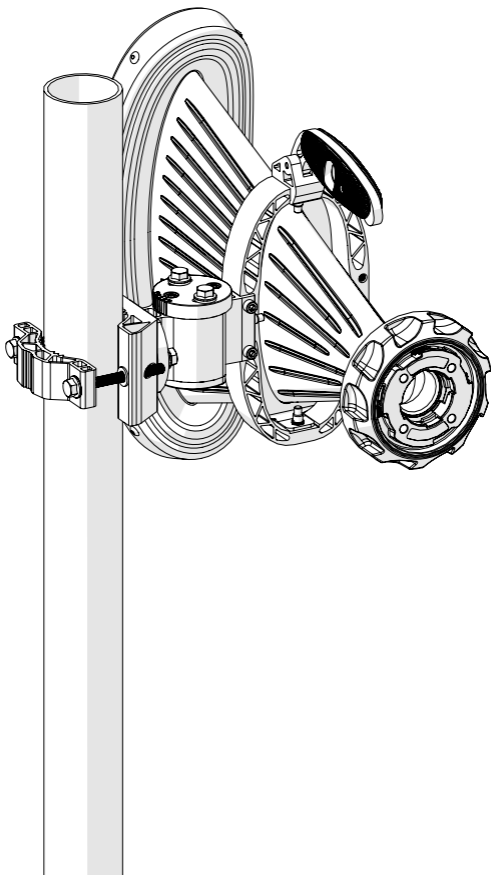


Use 5 mm Hex Key when assembling the bracket.



Installation Guide

Optional: Right side of the pole mounting.



RF elements®, TwistPort™ and SIMPER™ are trademarks
of RF elements s.r.o., Slovakia.
All rights of trademark owners reserved.



RF elements s.r.o.
+421 2 7333 7733
info@rfelements.com
www.rfelements.com