

Symmetrical Horn SH-TP

SYMMETRICAL HORN ANTENNA WITH TWISTPORT CONNECTOR
AND CARRIER CLASS PERFORMANCE

SH-TP-5-30, SH-TP-5-40, SH-TP-5-50, SH-TP-5-60,
SH-TP-5-70, SH-TP-5-80, SH-TP-5-90



Symmetrical Horn SH-TP

2

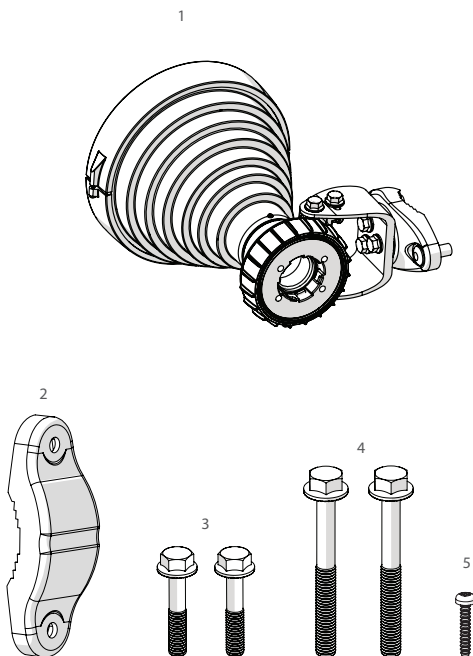
Overview

	Product ID	Dimensions	Weight	Gain
30° Horn SH-TP 5-30	SH-TP-5-30	280x202x270 mm	2 Kg 4.4 lbs	18.5 dBi
40° Horn SH-TP 5-40	SH-TP-5-40	273x186x189 mm	2 Kg 4.4 lb	16.2 dBi
50° Horn SH-TP 5-50	SH-TP-5-50	253x145x161 mm	1.7 Kg 3.7 lbs	14.3 dBi
60° Horn SH-TP 5-60	SH-TP-5-60	260x161x148 mm	1.5 Kg 3.3 lbs	13.2 dBi
70° Horn SH-TP 5-70	SH-TP-5-70	250x140x129 mm	1.7 Kg 3.7 lbs	11.5 dBi
80° Horn SH-TP 5-80	SH-TP-5-80	258x155x127 mm	1.7 Kg 3.7 lbs	10.4 dBi
90° Horn SH-TP 5-90	SH-TP-5-90	260x159x127 mm	1.5 Kg 3.3 lbs	10 dBi

Symmetrical Horn SH-TP

3

Package Contents



Number	Description	Quantity
1	SH-TP Body	1x
2	SH-TP Bracket	1x
3	M8 x 45mm Screw ^a	2x
4	M8 x 75mm Screw ^b	2x
5	2,9 x 16 mm Lock Screw	1x

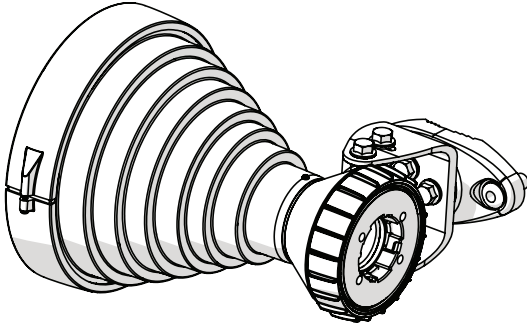
^a for pole diameter of 25 - 50mm (1 - 2 inch)

^b for pole diameter of 50 - 80mm (2 - 3 5/32 inch)

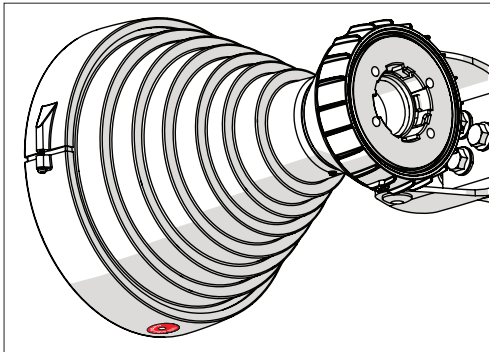
Symmetrical Horn SH-TP

Pre - Installation

The antenna is pre-assembled for installation on the left side of the pole.
If you need to swap to use the right side of the pole, see page 10.



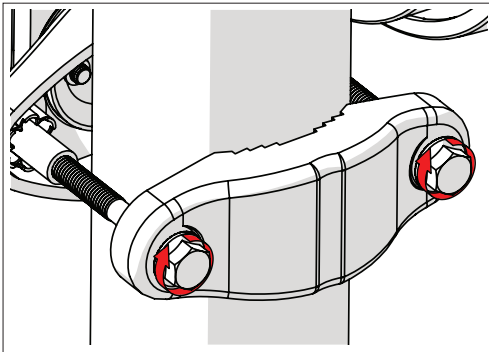
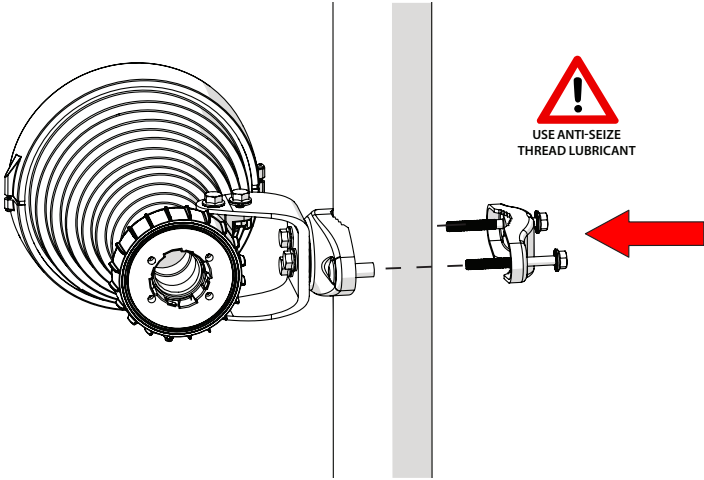
Ensure that the water drain points downwards!



Model SH-TP-5-30 shown. Installation instructions are identical for other Symmetrical Horn models.
Antenna dimensions may differ.

Symmetrical Horn SH-TP

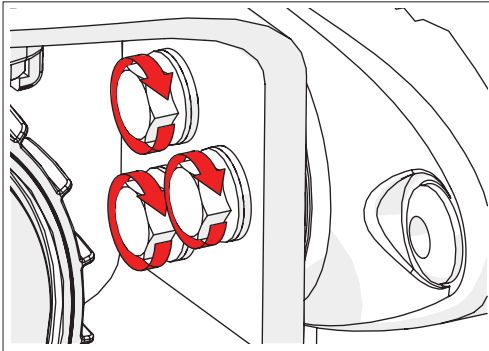
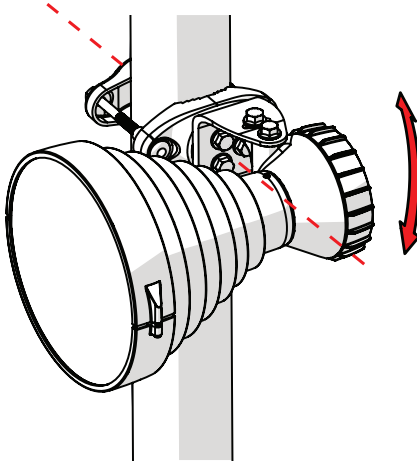
Pole Installation



Model SH-TP-5-30 shown. Installation instructions are identical for other Symmetrical Horn models. Antenna dimensions may differ.

Symmetrical Horn SH-TP

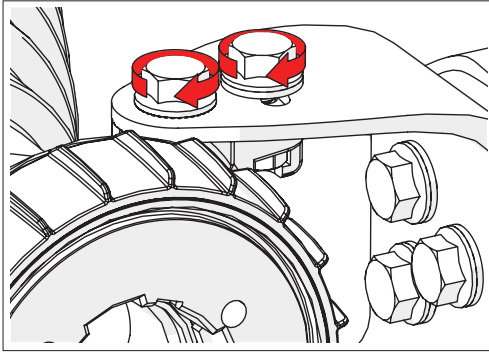
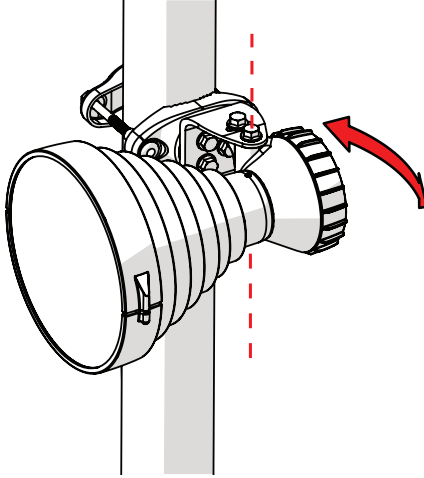
Installation Guide



Model SH-TP-5-30 shown. Installation instructions are identical for other Symmetrical Horn models. Antenna dimensions may differ.

Symmetrical Horn SH-TP

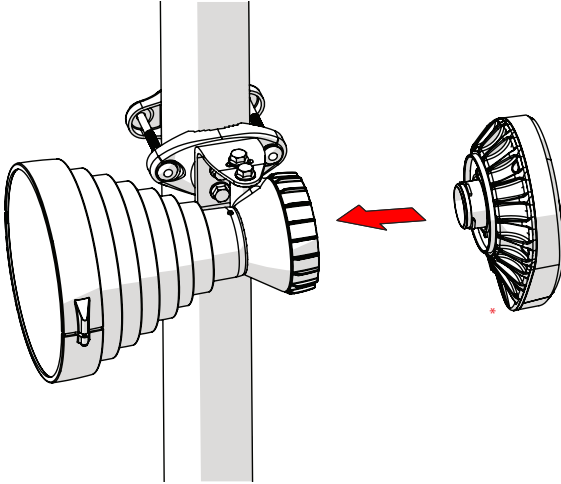
Installation Guide



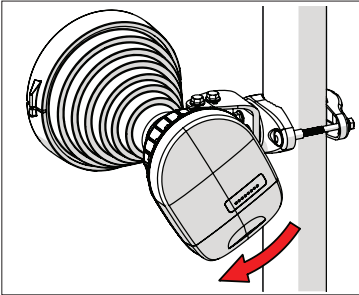
Model SH-TP-5-30 shown. Installation instructions are identical for other Symmetrical Horn models. Antenna dimensions may differ.

Symmetrical Horn SH-TP

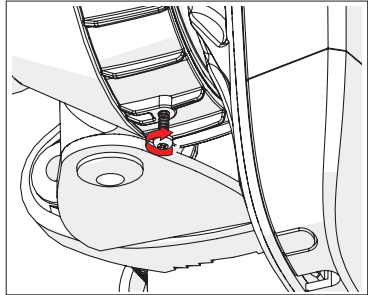
Installation Guide



1



2 **Optional:** Install the 2.9 x 16mm locking screw.



Tighten the locking screw to secure the TwisPort lock mechanism.

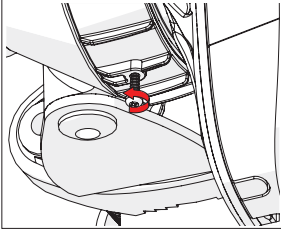
* TwisPort™ Adaptor or SIMPER™ Radio sold separately.

Model SH-TP-5-30 shown. Installation instructions are identical for other Symmetrical Horn models. Antenna dimensions may differ.

Symmetrical Horn SH-TP

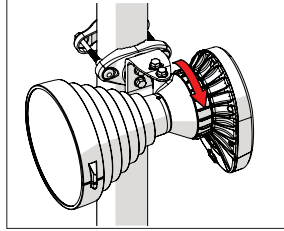
Installation Guide

1 If the locking screw was used,

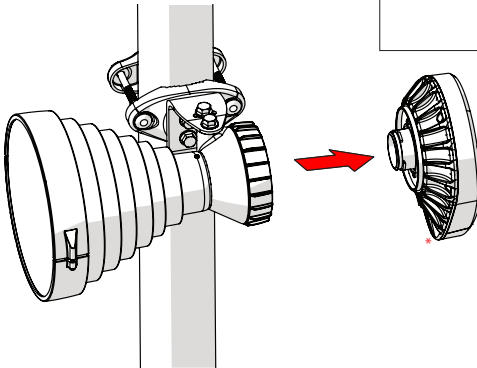
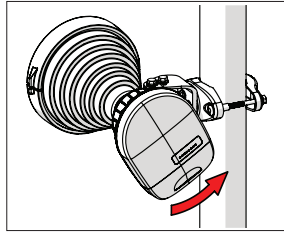


unscrew it by about 10 mm before unlocking the TwisPort mechanism.

2



3



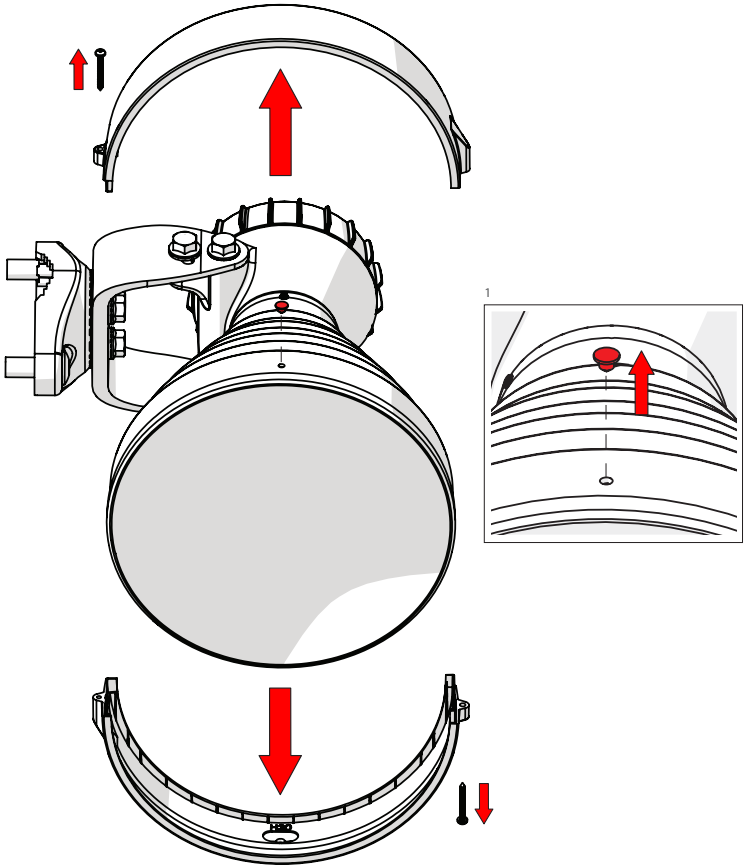
* TwisPort™ Adaptor or SIMPER™ Radio sold separately.

Model SH-TP-5-30 shown. Installation instructions are identical for other Symmetrical Horn models. Antenna dimensions may differ.

Symmetrical Horn SH-TP

Pre - Installation

Optional: Right side of the pole mounting.

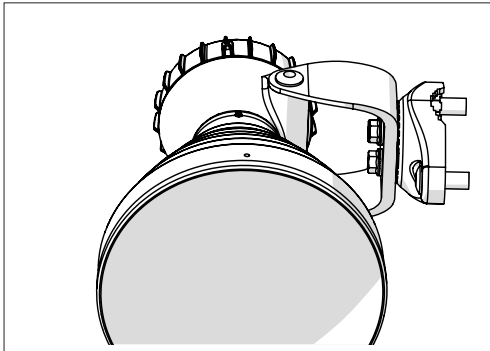
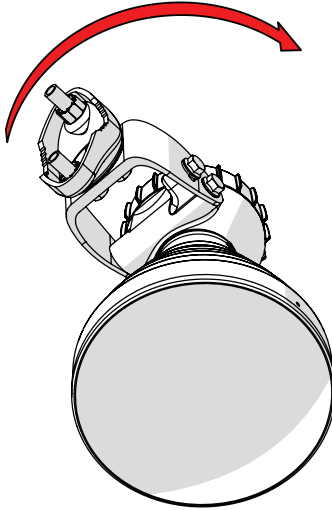


Model SH-TP-5-30 shown. Installation instructions are identical for other Symmetrical Horn models. Antenna dimensions may differ.

Symmetrical Horn SH-TP

Pre - Installation

Optional: Right side of the pole mounting.

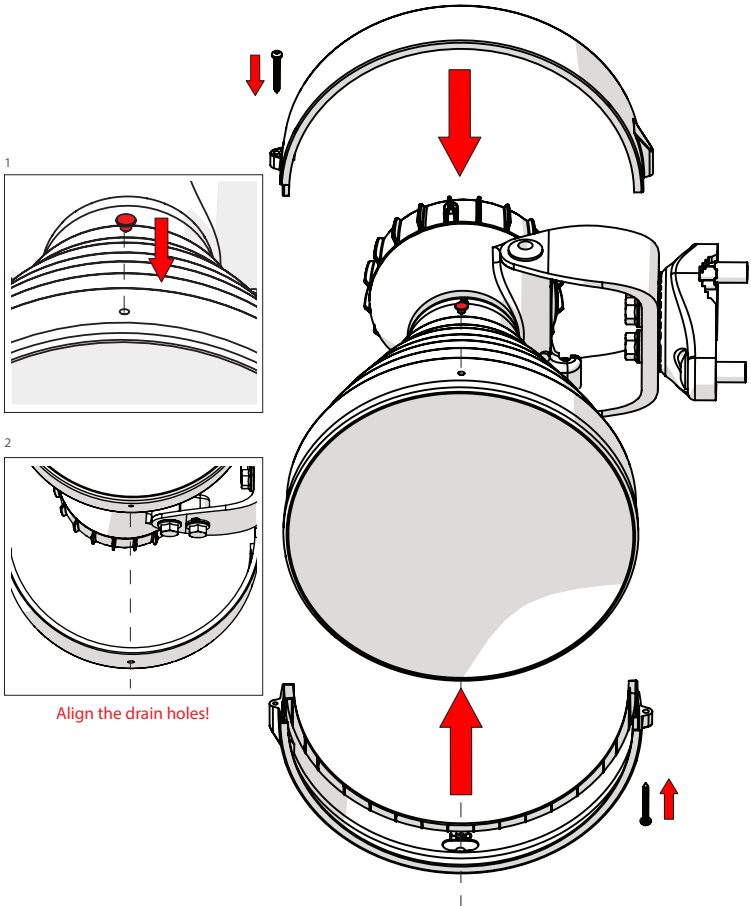


Model SH-TP-5-30 shown. Installation instructions are identical for other Symmetrical Horn models. Antenna dimensions may differ.

Symmetrical Horn SH-TP

Pre - Installation

Optional: Right side of the pole mounting.



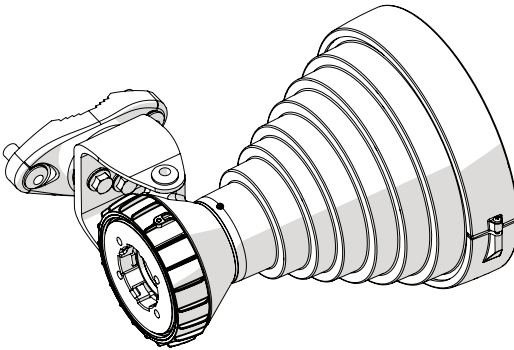
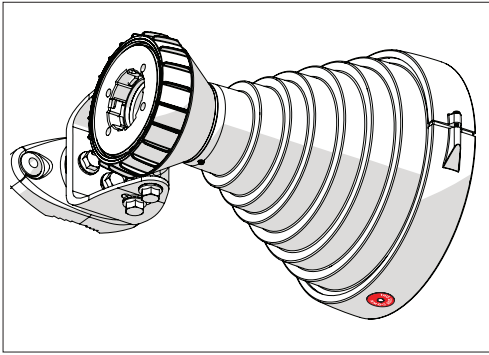
Model SH-TP-5-30 shown. Installation instructions are identical for other Symmetrical Horn models. Antenna dimensions may differ.

Symmetrical Horn SH-TP

Pre - Installation

Optional: Right side of the pole mounting, continue on page 5.

Ensure that the water drain points downwards!



Model SH-TP-5-30 shown. Installation instructions are identical for other Symmetrical Horn models. Antenna dimensions may differ.

Compatible Devices

RF elements®

any TwistPort™ Adaptor

any SIMPER™ Radio with TwistPort™ connector

RF elements®, SIMPER™ and TwistPort™
are trademarks of RF elements s.r.o., Humenne, Slovakia.

All rights of trademark owners reserved.



RF elements s.r.o.
Phone: +421 2 3260 3711
info@rfelements.com
www.rfelements.com