

UltraHorn™ TP

ULTIMATE NOISE REJECTING POINT-TO-POINT
ANTENNA WITH TWISTPORT™ CONNECTOR

UH-TP-5-24



UltraHorn™ TP

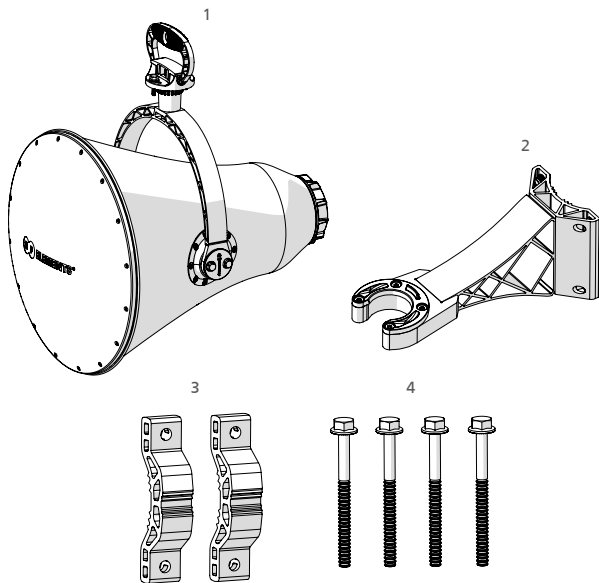
Overview

	Product ID	Dimensions	Weight*	Gain	Compatible Wireless Platforms
UltraHorn™ TP 5-24	UH-TP-5-24	634 x 578 x 480 mm	8.2 kg 18 lbs	24 dBi	any TwistPort™ Adaptor any SIMPER™ Radio

*Estimation based on pre-production units. Subject to change.

UltraHorn™ TP

Package Contents

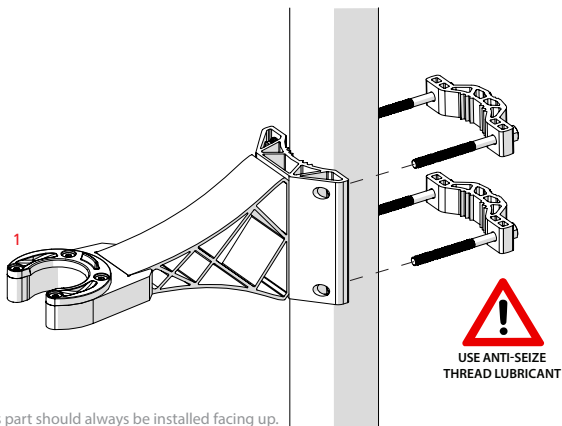


Number	Description	Quantity
1	UltraHorn™ TP Body	1x
2	UltraHorn™ TP Bracket Arm	1x
3	UltraHorn™ TP Bracket	2x
4	M8 x 90mm Screw	4x

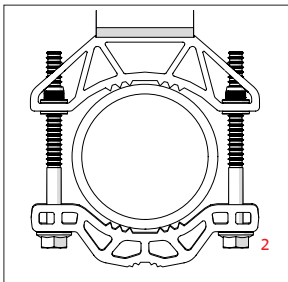
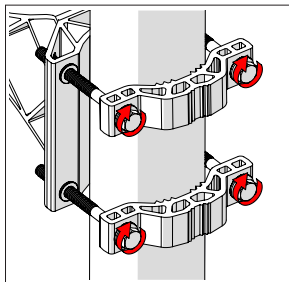
UltraHorn™ TP

Step 1

Installation Guide



1 This part should always be installed facing up.

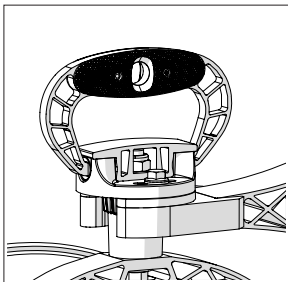
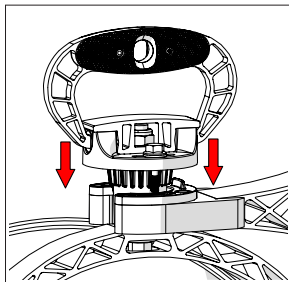
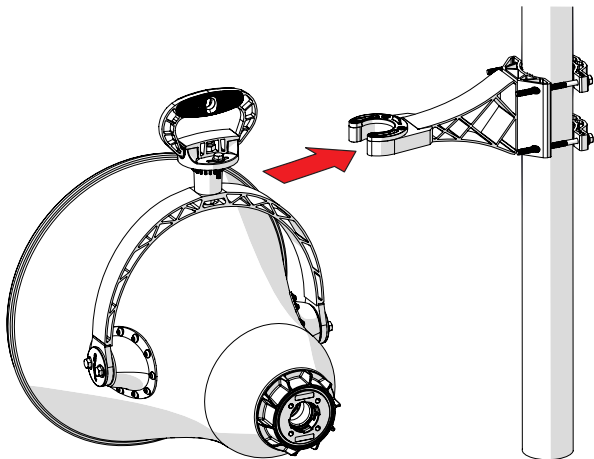


2 Tighten all screw equally.

UltraHorn™ TP

Step 2

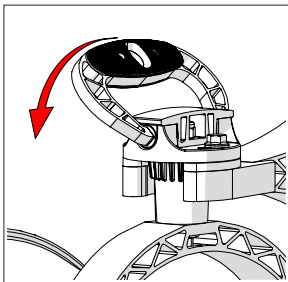
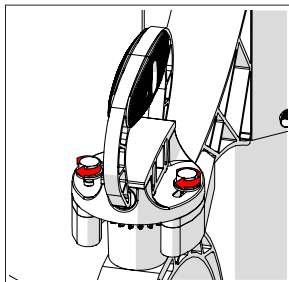
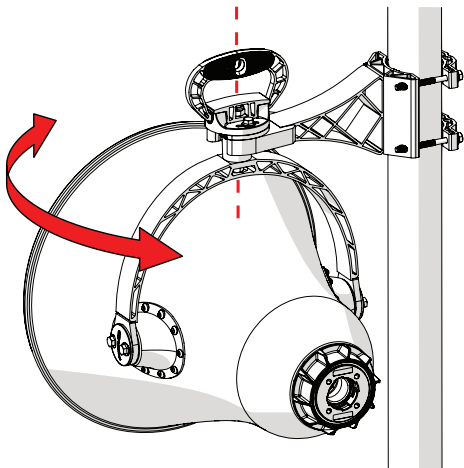
Installation Guide



UltraHorn™ TP

Step 3

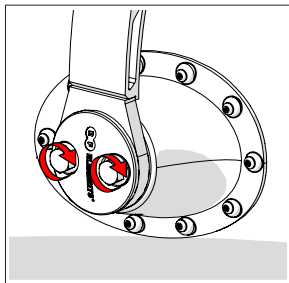
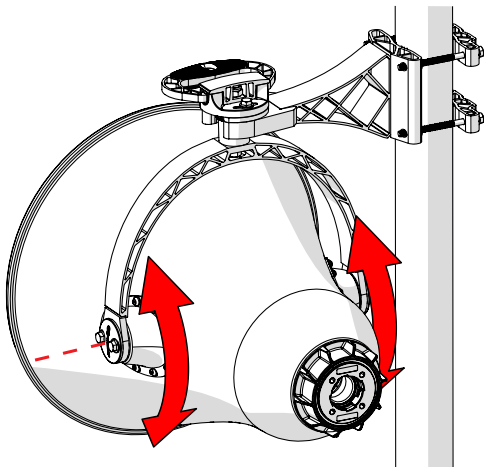
Installation Guide



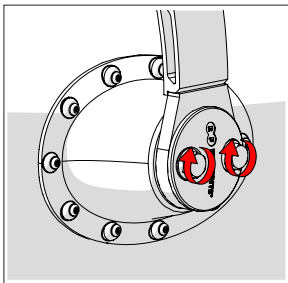
UltraHorn™ TP

Step 4

Installation Guide



Left side

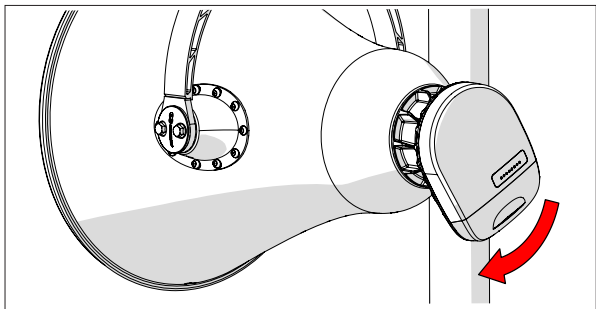
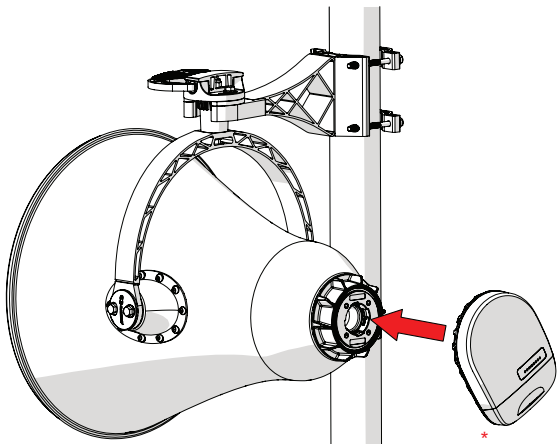


Right side

UltraHorn™ TP

Step 5

Installation Guide

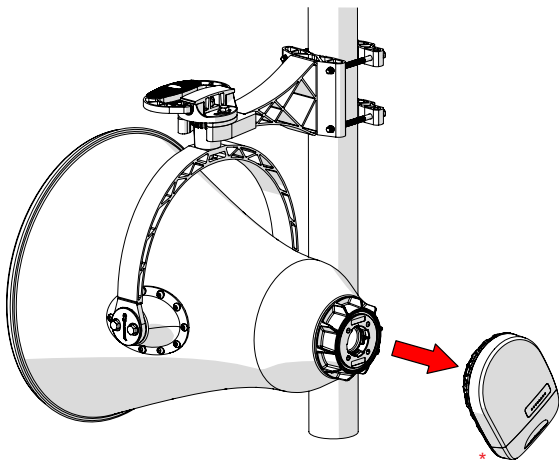
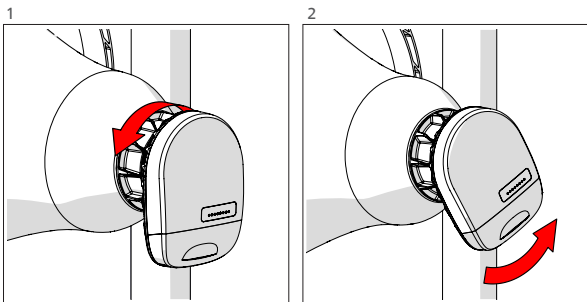


* TwistPort™ Adaptor or SIMPER™ Radio sold separately.

UltraHorn™ TP

Step 6

Uninstallation Guide



* TwistPort™ Adaptor or SIMPER™ Radio sold separately.

Compatible Devices:

RF elements®

any TwistPort™ Adaptor
any SIMPER™ Radio with TwistPort™ connector

RF elements®, TwistPort™, SIMPER™ and UltraHorn™
are trademarks of RF elements s.r.o., Humenne, Slovakia.
All rights of trademark owners reserved.



RF elements s.r.o.
Phone: +421 2 3260 3711
info@rfelements.com
www.rfelements.com

