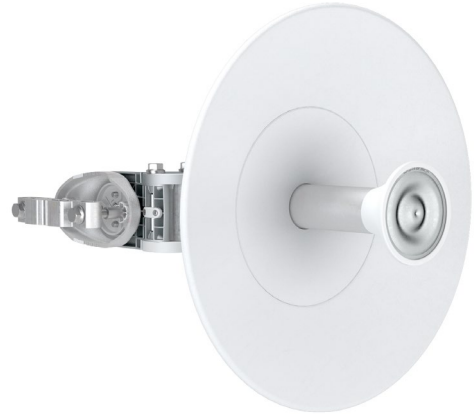


UltraDish™ TP 400

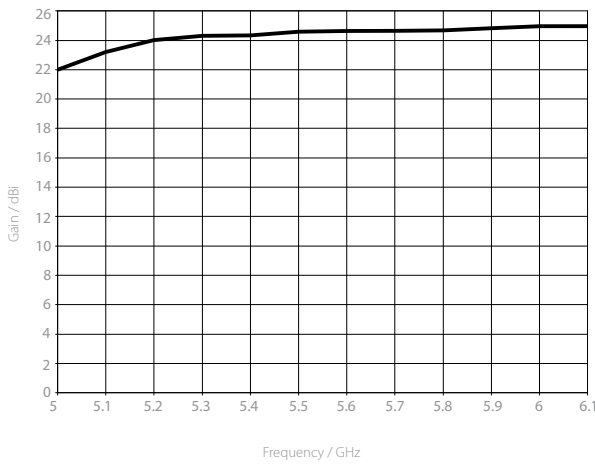
DIRECTIONAL PARABOLIC DISH ANTENNA WITH TWISTPORT™ CONNECTOR

UltraDish™ TP 400's are designed for CPE or PtP connections. The antenna reflector is made from an aluminum alloy to ensure a very uniform shape. Our virtually lossless TwistPort™ connector guarantees easy radio deployment and maintenance.

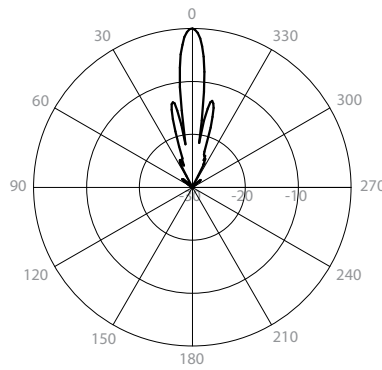
Antenna installation is extremely easy and ensures rapid deployment for large scale projects. Our innovative antenna mount fits a wide range of pole diameters and can be easily swapped for right or left side mounts. A single HEX tool is all you need to perform your installation.



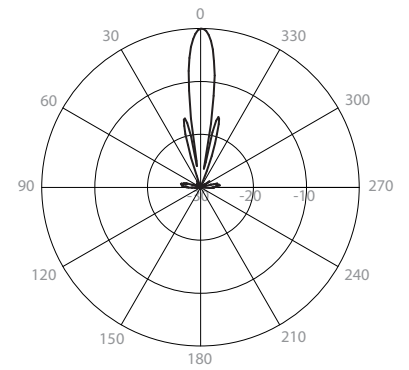
Gain H



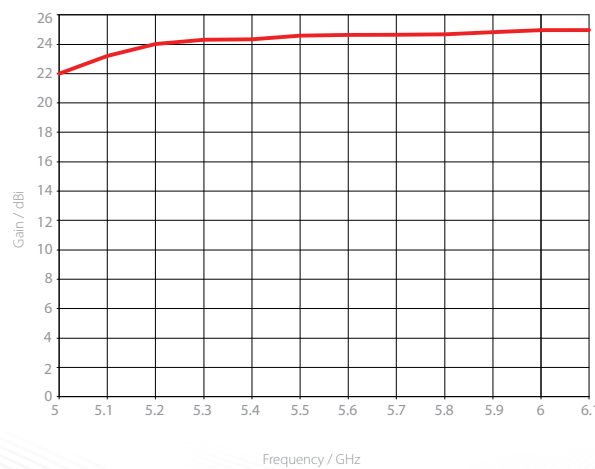
Azimuth Pattern H



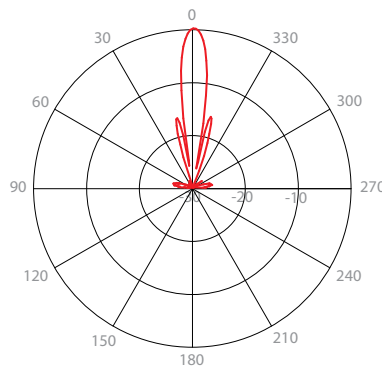
Elevation Pattern H



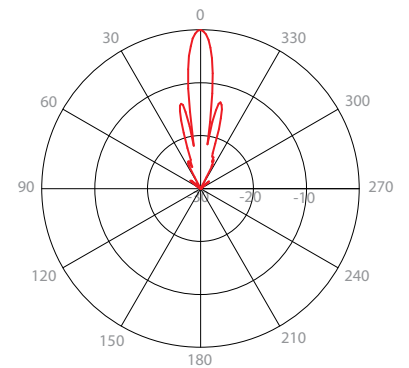
Gain V



Azimuth Pattern V



Elevation Pattern V



PHYSICAL

Antenna Connection	TwistPort™ - Quick Locking Waveguide Port
Antenna Type	Parabolic Dish
Environmental	IP65
Pole Mounting Diameter	25-80 mm (we recommend as close to 80mm as possible)
Temperature	-40 °C to +60 °C (-40°F to +140°F)
Wind Survival	160 km/hour
Wind Loading	156 N at 160 km/hour
Weight	2.7 Kg / 6 lbs – single unit (one antenna) 14 Kg / 31 lbs – 4PACK (4 units) incl. package
Dimensions	Retail Box 4PACK: 450 x 450 x 390 mm / 17.7 x 17.7 x 15.3 inch

PERFORMANCE

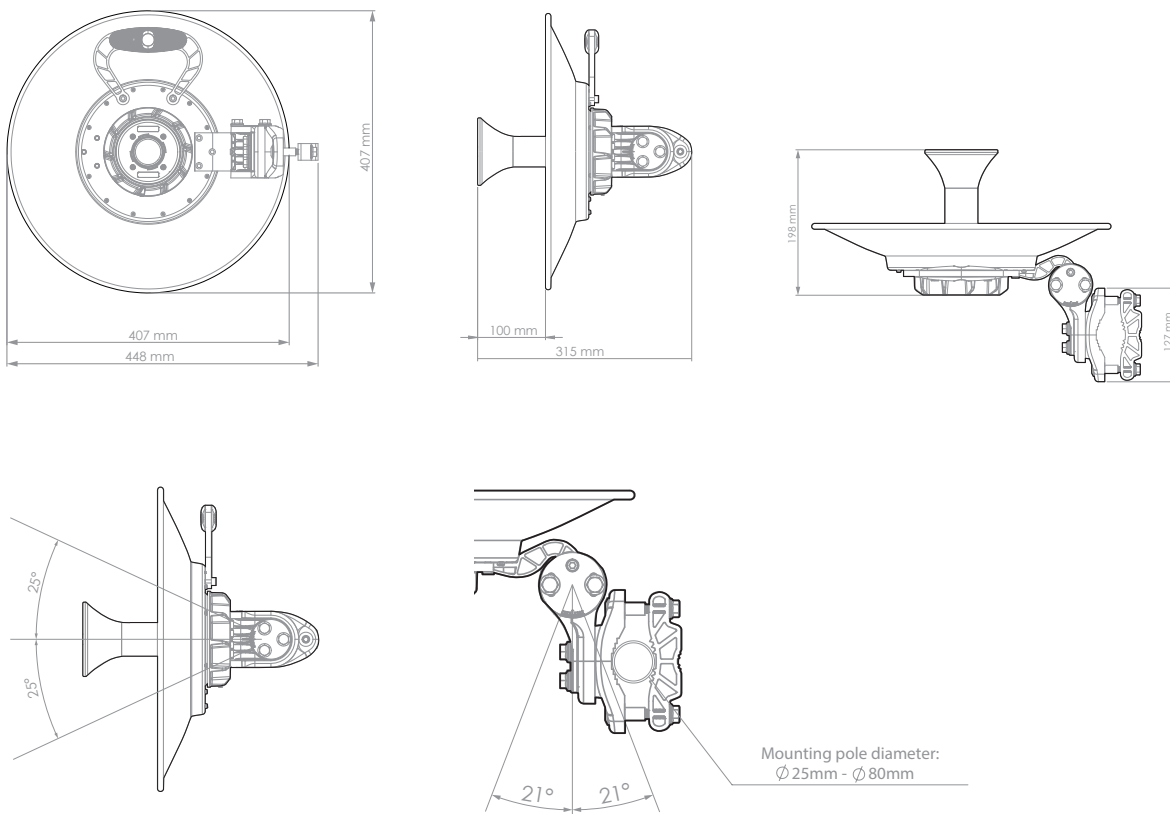
Gain	24.5 dBi
Frequency Range	5180 - 6100 MHz
Azimuth Beam Width -6 dB	H 11° / V 11°
Elevation Beam Width -6 dB	H 11° / V 11°
Azimuth Beam Width -3 dB	H 7° / V 7°
Elevation Beam Width -3 dB	H 7° / V 7°
Beam Efficiency**	39%
Front-to-Back Ratio (Min)	35 dB

COMPATIBLE WIRELESS PLATFORMS

any TwistPort™ Adaptor

any SIMPER™ Radio

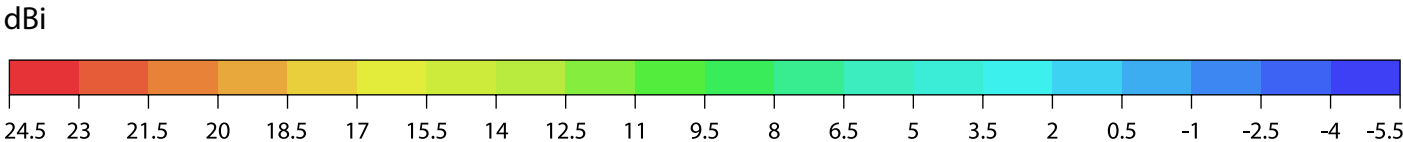
PRODUCT DIMENSIONS



**Beam efficiency defined up to first null

3D RADIATION DIAGRAM

SCALE: 30dBi
COMPATIBLE WITH: ADOBE ACROBAT READER DC. NOT SUPPORTED ON MOBILE.
USE MOUSE TO ROTATE THE DIAGRAM. SCROLL IN/OUT TO ZOOM IN/OUT



FRONT	BACK	RIGHT	LEFT	UP	DOWN
-------	------	-------	------	----	------